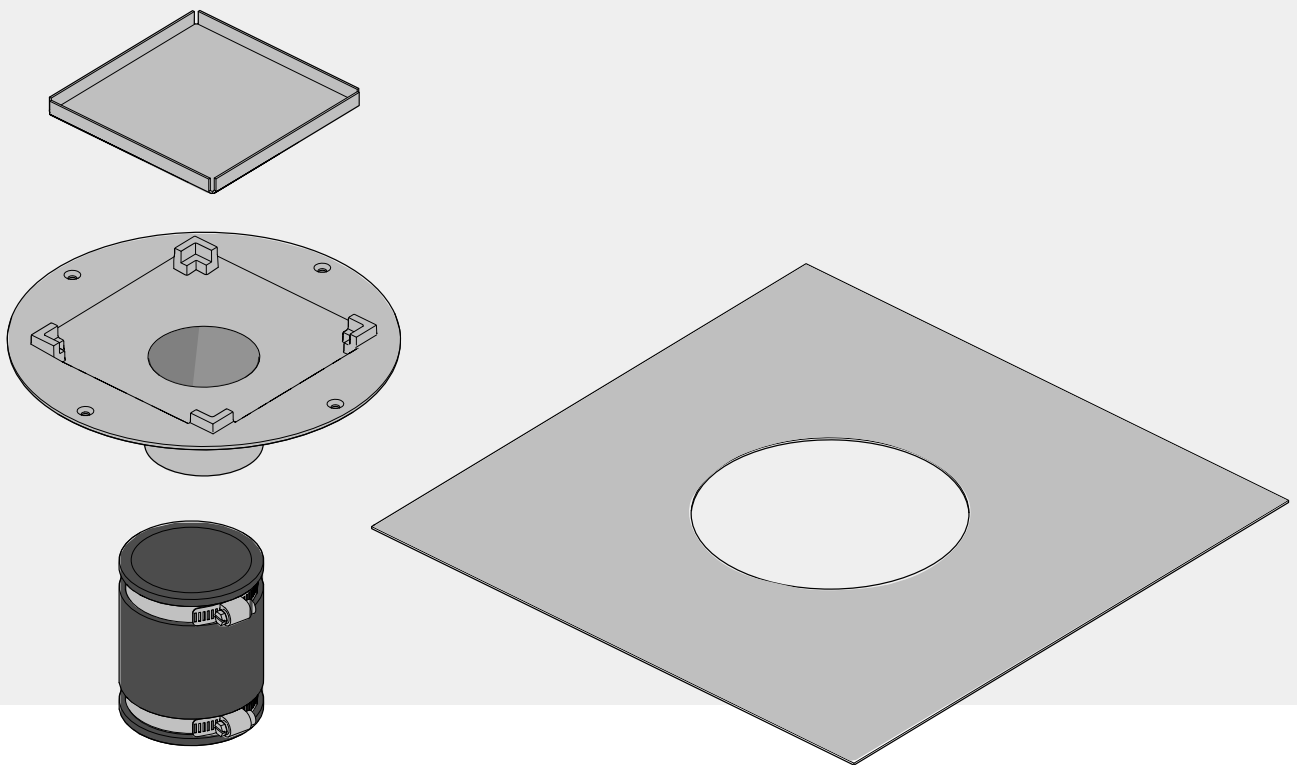


Tuff Form Tile-in Drain

INSTALLATION INSTRUCTIONS

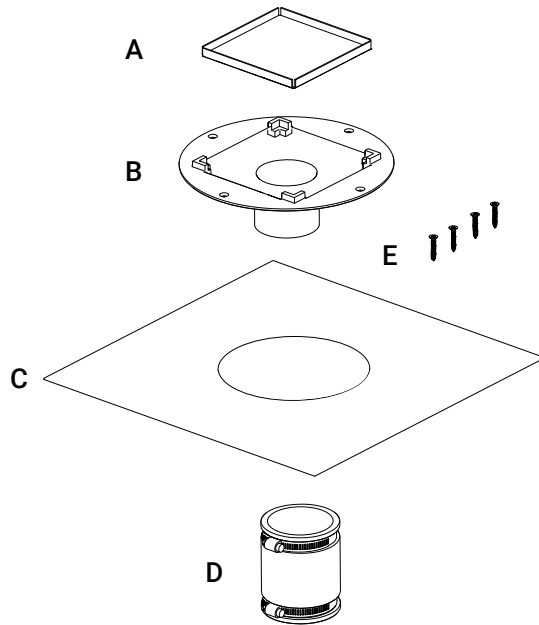


Stock Code
CD1260

Please read all instructions before installation and leave this document with the end user for future reference as it contains important warranty information.

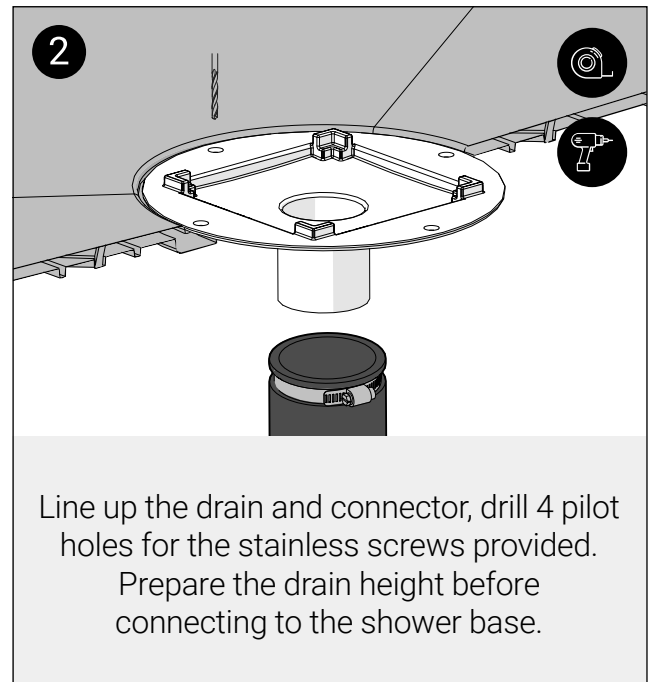
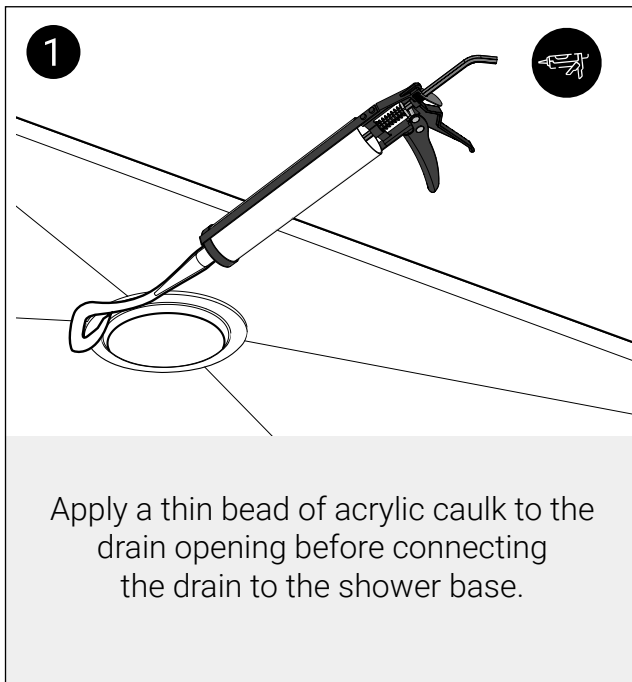
Important Information

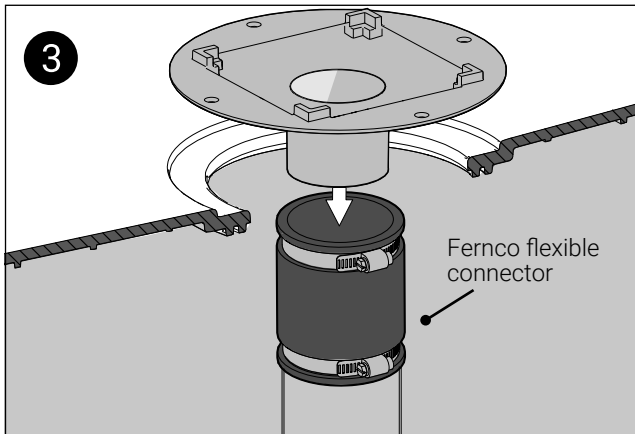
PARTS



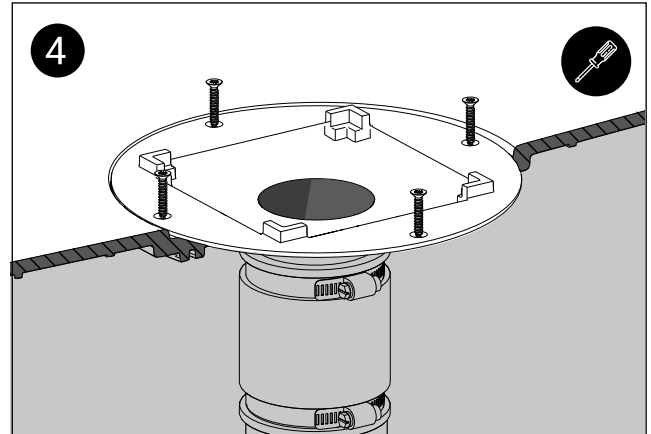
Parts	QTY
A Drain Tile Plate	1
B Drain Tile Holder	1
C Drain Gasket	1
D Fernco flexible connector	1
E No.8 x 1 inch Pozi csk head stainless steel self tapping screw.	4

Suitable for wooden and solid floor installations. Use these in accordance with the former instructions. Do not use silicone caulk as this does not bond with the waterproofing compound. Only use acrylic caulk in waterproofing areas.

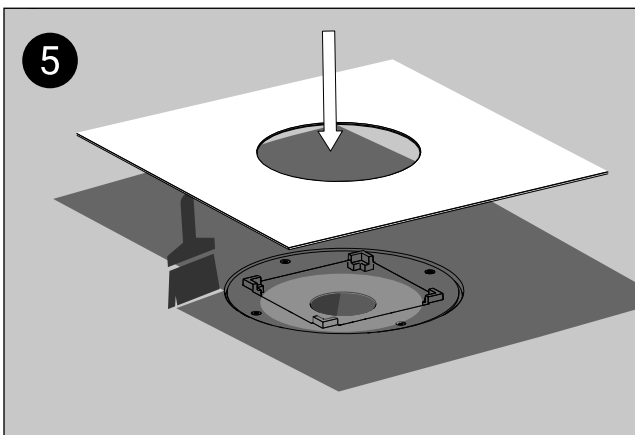




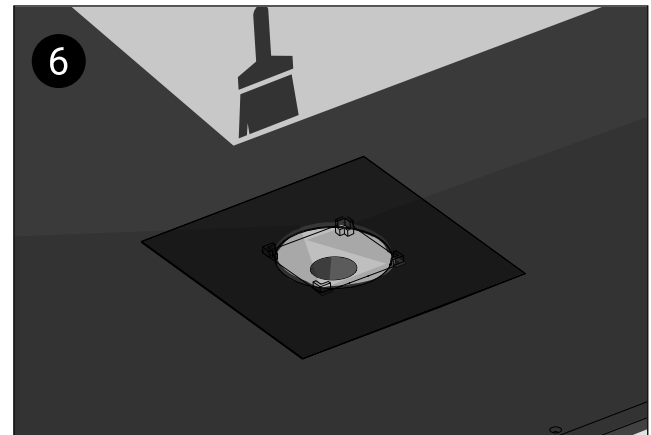
3
Connect the drain outlet pipe to the connector and test for any leaks before the next step.



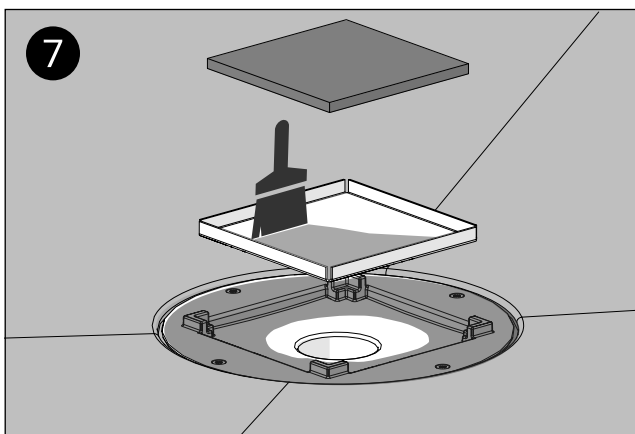
4
Firmly push the drain into position and screw the stainless steel screws into the shower base. Remove any excess caulk.



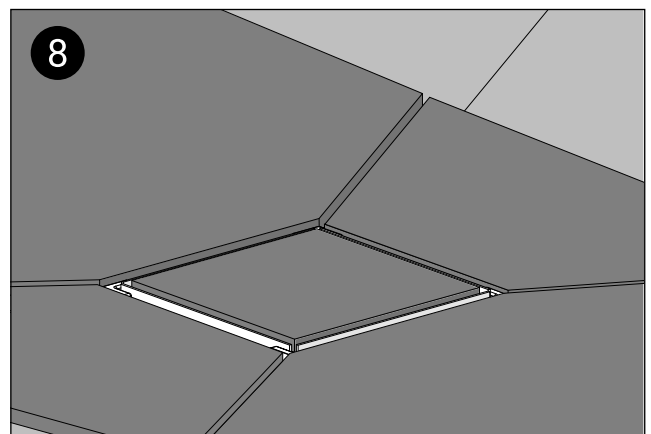
5
Cover the drain area in layer of waterproofing and firmly apply the gasket to the shower base and drain area.



6
Completely cover the gasket with another layer of waterproofing membrane and then proceed with covering all the shower base area and any edges.



7
Make sure the tile plate is clean and then apply a layer of waterproofing.



8
Finish with tiling, starting at the drain and moving outwards.

Contact Us



General Enquiries

1-715-743-2771

info@akwresourcecenter.com

AKW Resource Center

7 Tiff Ave,
Neillsville,
WI 54456

akwresourcecenter.com

Follow us on Social:



Warranty

Warranty applies only to manufacturing or material defects, conditional on the one-time correct installation of the product. It does not apply to:

- Inappropriate use or accidental damage.
- Damage or defects that result from incorrect installation.
- Lack of maintenance including the build up of grime or damage resulting from inappropriate cleaning.
- Damage or defects that result from repairs or modifications undertaken by unauthorized persons.
- General wear and tear through usage and does not apply to surface finishes.

Warranty period starts from the date of installation.

What to do if something goes wrong?

In the event that you encounter a problem with this product, please contact your local installer. If the issue is still unresolved, please contact AKW Resource Center who will provide further advice. None of the foregoing affects your statutory rights.