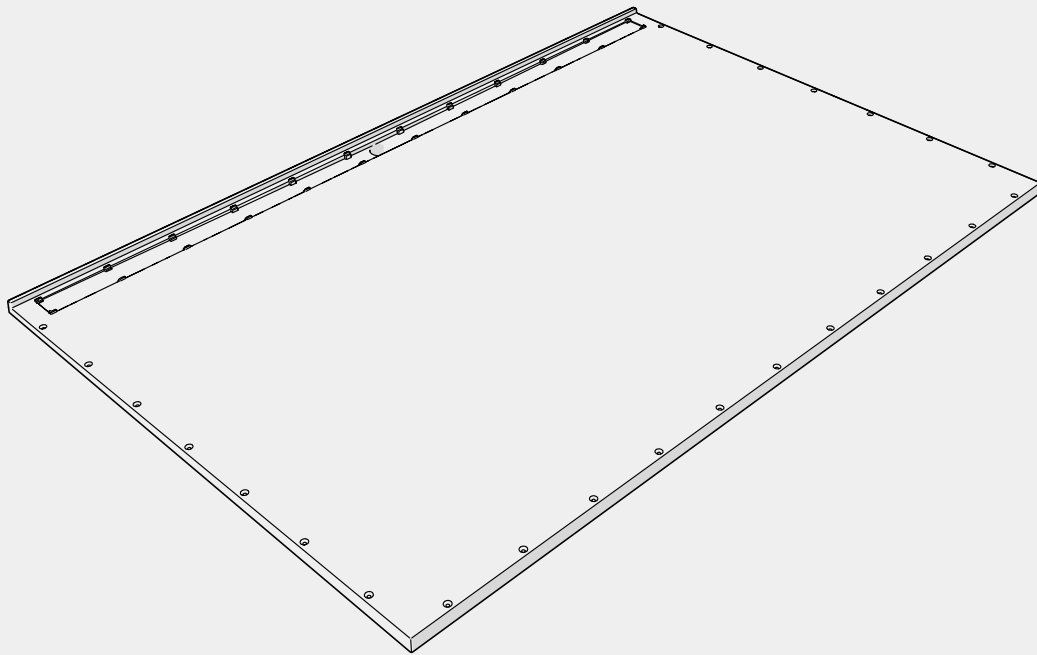


Tuff Form Ultimate Linear Shower Base

INSTALLATION INSTRUCTIONS



Please read all instructions before installation and leave this document with the end user for future reference as it contains important warranty information.

Important Information

This product must be installed by a competent tradesman. By proceeding with installation, you are accepting that the product is in an acceptable condition. Claims of faulty/damaged product once installation has begun are void. The manufacturer is not responsible for any costs incurred through installation that is not in accordance with these instructions.

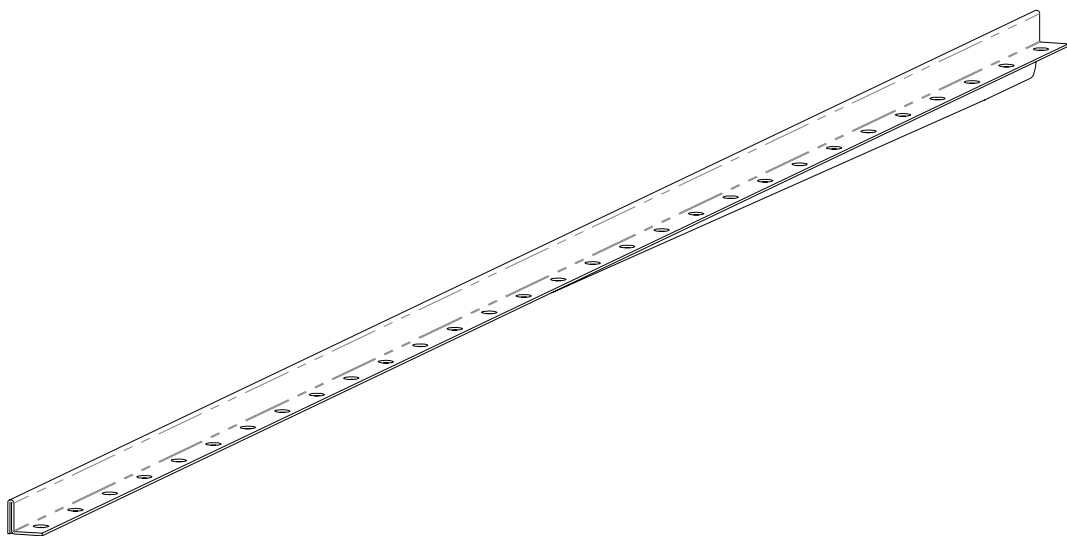
These instructions advise the minimum standards of installation. Due to the variety of installation conditions, AKW Resource Center cannot account for all circumstances. The information in this manual is provided on the condition that the installer determine its suitability for each case.

Read these instructions in full before commencing any work. If other products such as joint tapes or membranes will be used, refer to their instructions to determine how their installation fits in with this shower base's installation.

Warning! You must have access to the underside of the installed shower base in order to complete the drain line connection.

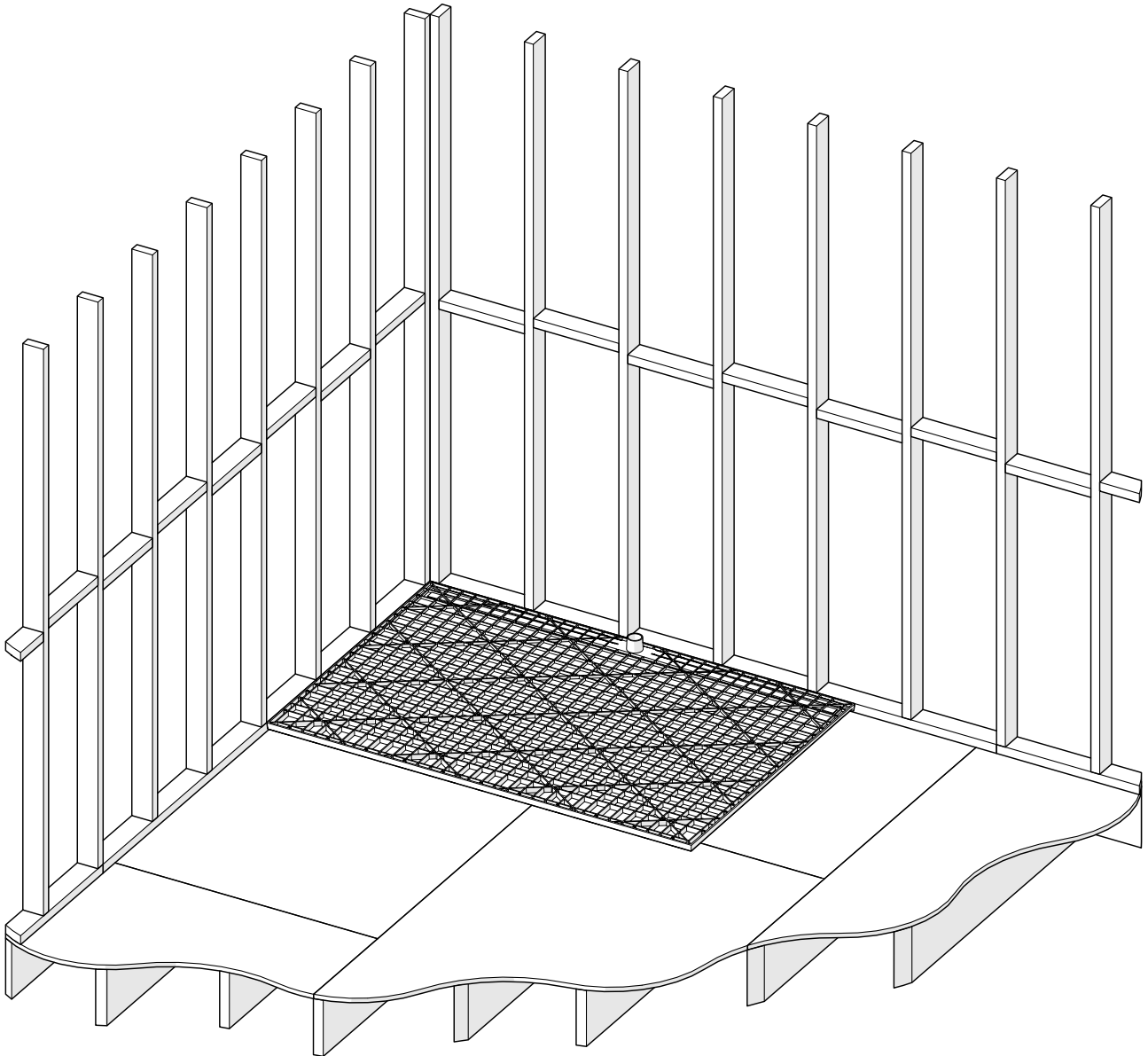
The shower base slopes only in one direction, towards the drainage trough. Hence, along the two sloping edges, the transition from base to subfloor will change from a step up to a step down. Stainless steel trims run along these edges to provide an easy separation between the floor tiles and tiles on the sloping face. These trims are available in multiple heights to suit different thicknesses of tile. A trim is pictured below.

This shower base has a maximum load rating of 381 kg / 840 lb / 60 stone.
Do not exceed this rating.



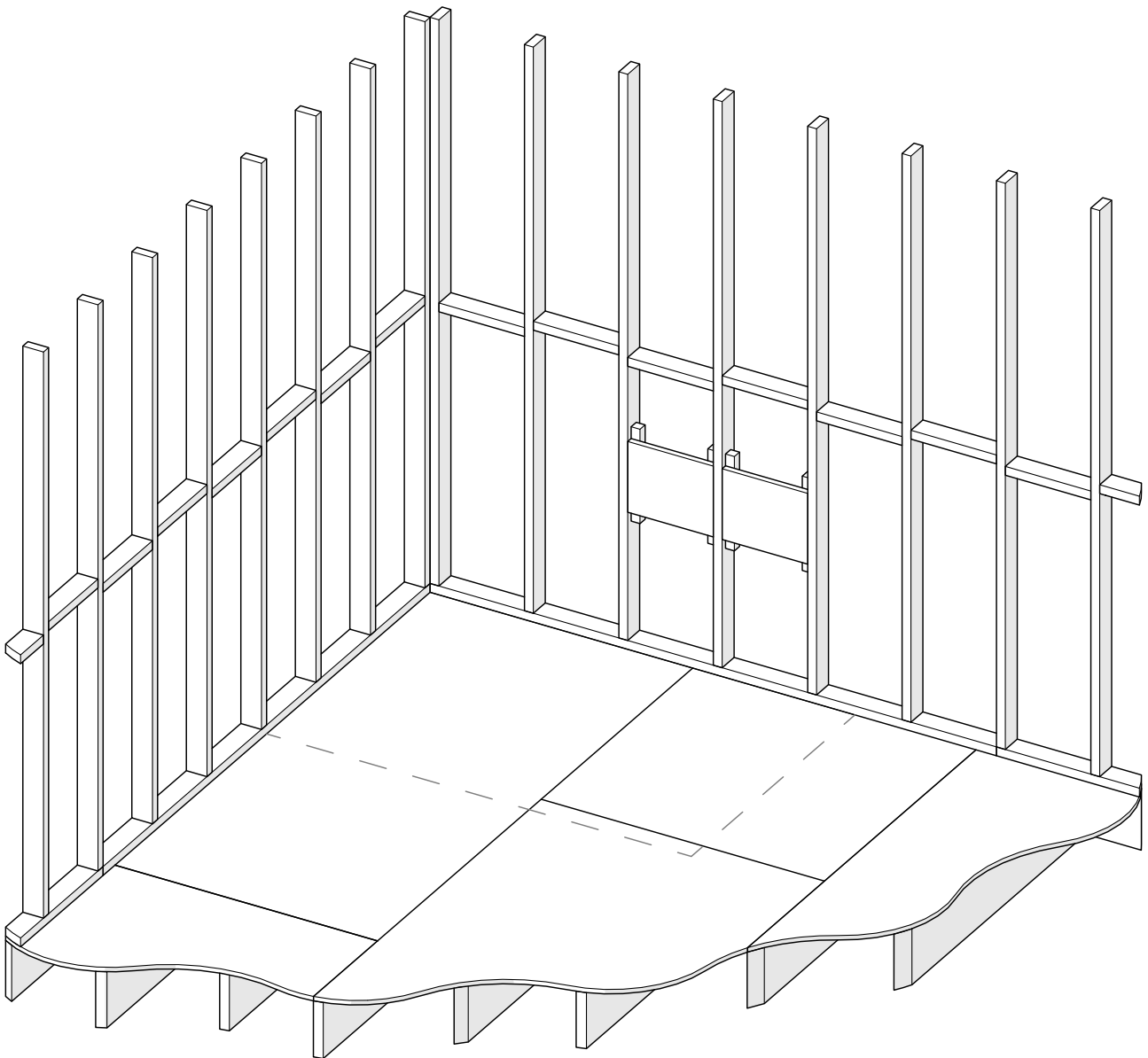
Step 1

Place the shower base on the subfloor upside down and position it so that the drain hole is at least 5" from any joist. Ensure that the back edge (behind the drainage trough) is against a wall. The two sides adjacent to the back edge can be against a wall, or left away from the wall for entry on one, two, or three sides. Mark around the edge of the shower base, then remove it.



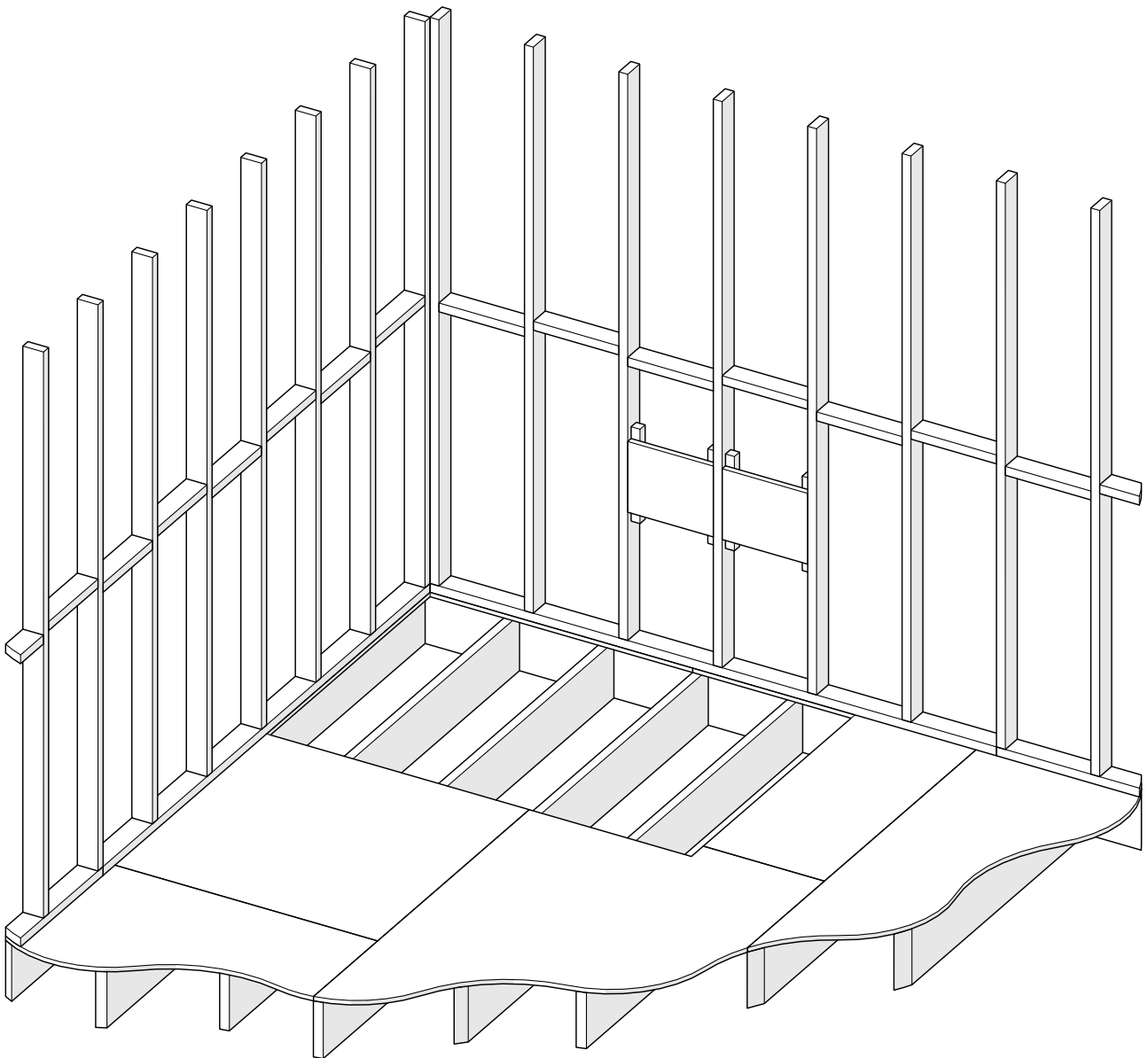
Shower Base Installation

With the showering area defined and the subfloor still in place, now may be a convenient time to add blocking in between the wall studs to support shower accessories such as seats and grab bars. Add 2" thick blocking and cleats at the appropriate heights as required. For lighter duty items, 1" or even 3/4" thick plywood can be used.



Step 2

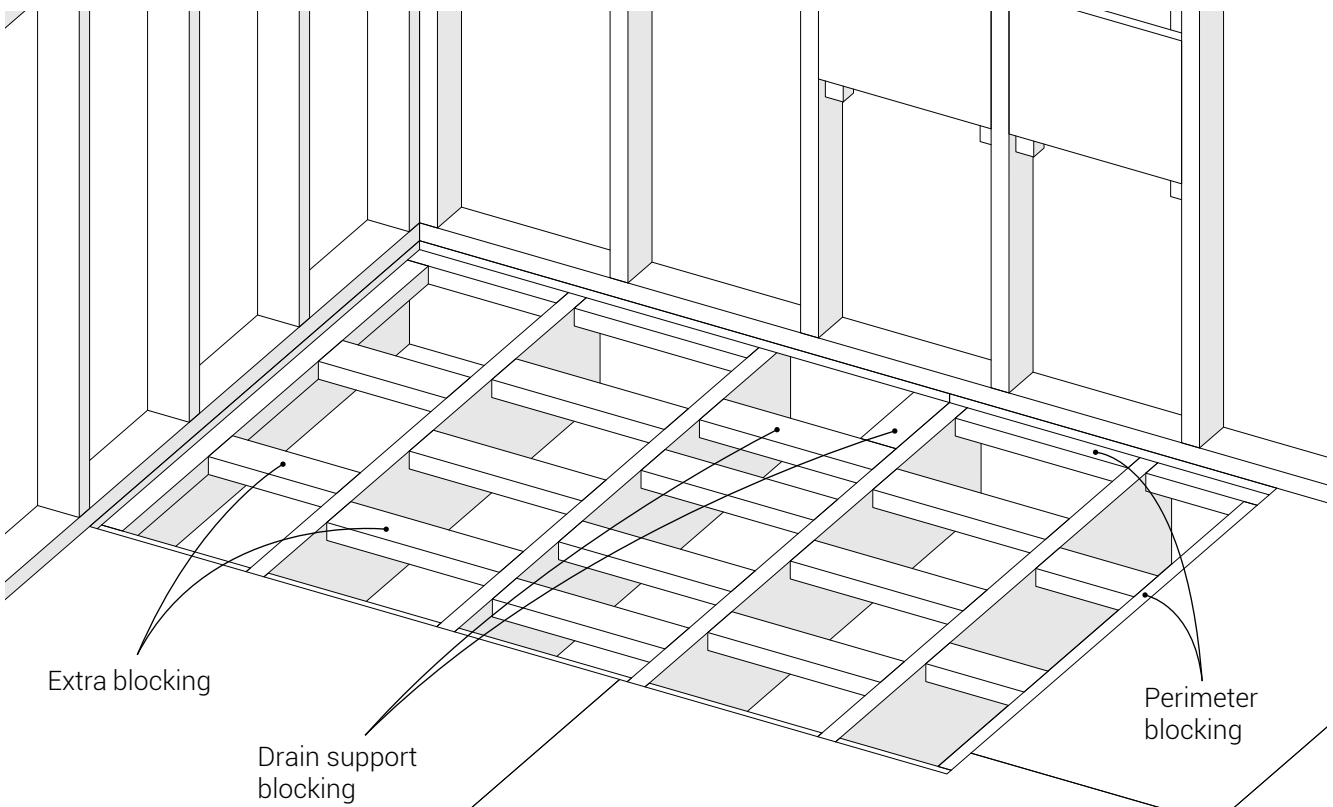
Check for any buried wiring, plumbing, and ductwork before cutting into the floor. Cut the subfloor, taking care not to cut any deeper than necessary. Carefully remove the subfloor. Doing more cuts to make the pieces of subfloor smaller may make this easier.



Shower Base Installation

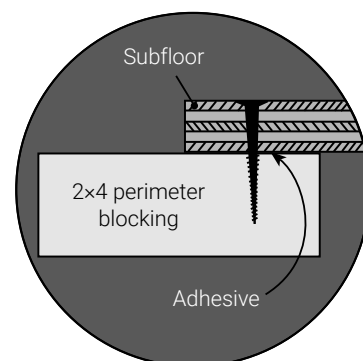
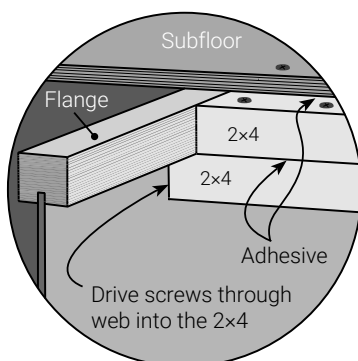
Step 3

Check that the joists in the recess are level. If necessary, remove the high spots with a belt sander or rasp, and add shims or 2×4" sistering joists to the low spots. Add 2×4" (or bigger) blocking along the perimeter of the recess and in a 5×5" square centered on the drain hole. If the joist spacing is greater than 16" centers, additional blocking between the joists must be put in. For good measure, add blocking in between the joists to minimize flex once everything is installed. Apply construction adhesive to blocking surfaces that support the subfloor.



For TJIs, fasteners should penetrate the web or into the top and bottom of the flange, but not through the sides of the flange. Stacked 2×4s work well with TJIs.

Install the perimeter blocking so that half of the block is under the subfloor and half is exposed.



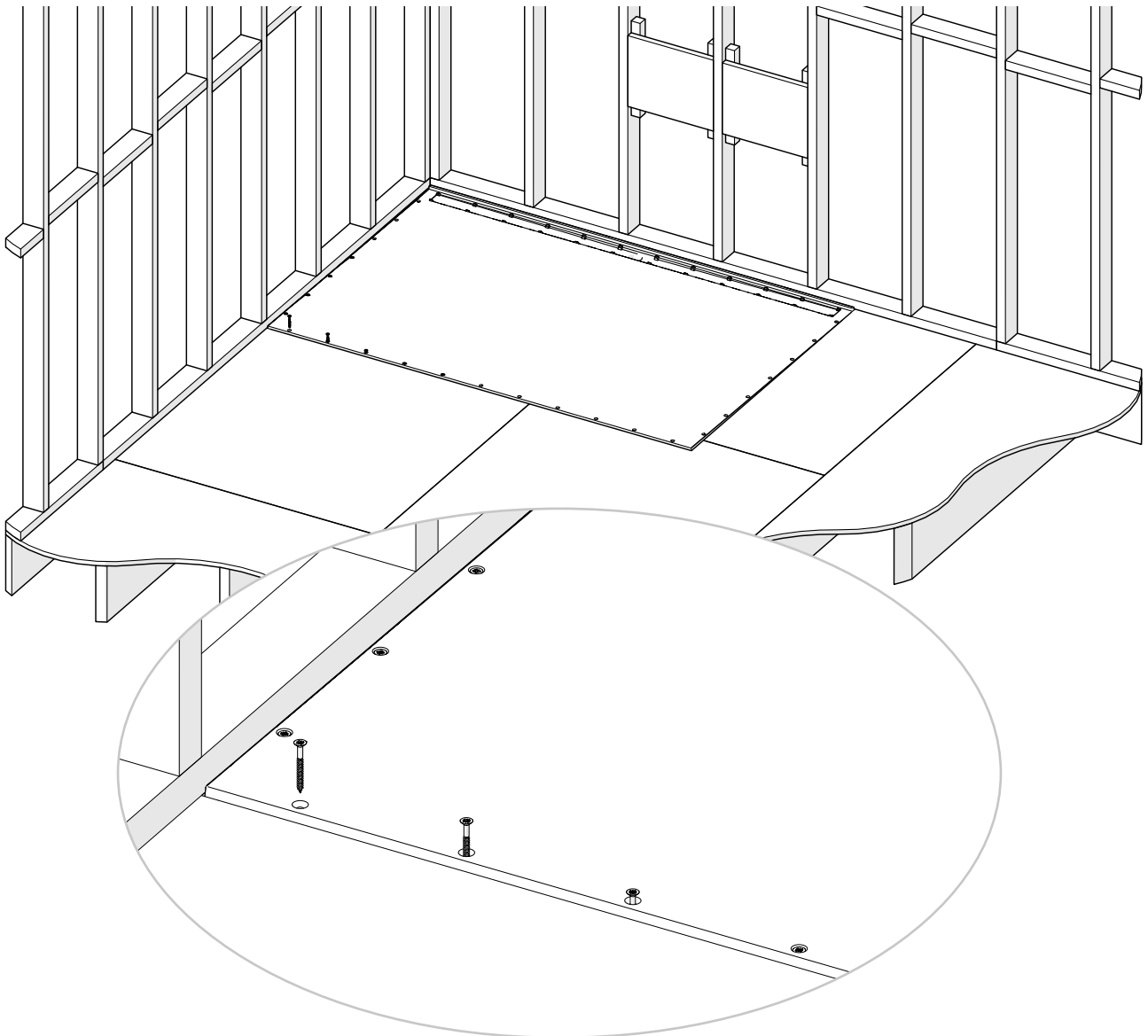
Shower Base Installation

Step 4

Determine the height of the floor. Whatever goes on top of the subfloor, tile backer board for example, must be flush with the front edge of the shower base. The base is 1 and 1/8" thick, so 3/4" thick subfloor plus 3/8" board (or 1/8" membrane plus 1/4" board) will work perfectly. If the thicker flooring is required, the base must be packed up accordingly. Add packing material, such as plywood, as required to achieve the level transition from floor to shower base.

Step 5

Lower the shower base into the recess. Drill through the holes along the shower base's edge to remove the material that blocks the holes. Drive screws through the holes along the perimeter to fasten the base down. Do not drive the screws in so hard that it causes the base to become unlevel. For increased security, apply construction adhesive to the perimeter blocking before placing the base into the recess.

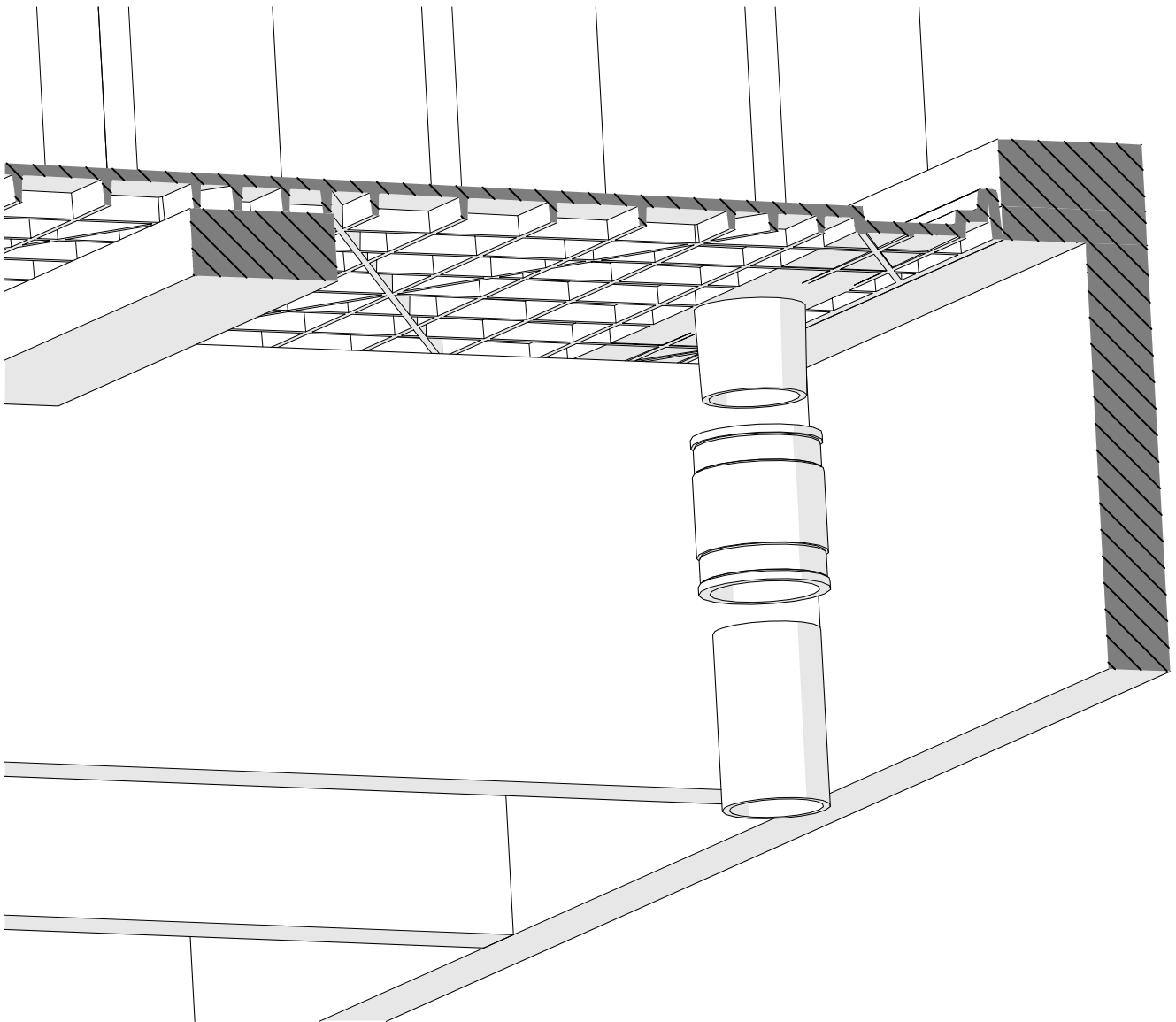


Drain Installation

Route the drain pipe and connect the trap.

Cut/extend the vertical pipe that goes up to the shower base so that it is at the right height.

Use a Fernco 1056-22, a 2" SharkBite coupling, or a comparable unit to connect the drain outlet on the underside of the shower base to drain pipe. The coupling simply slips over the drain outlet and is secured by tightening a band clamp around it. Do not overtighten the clamp.



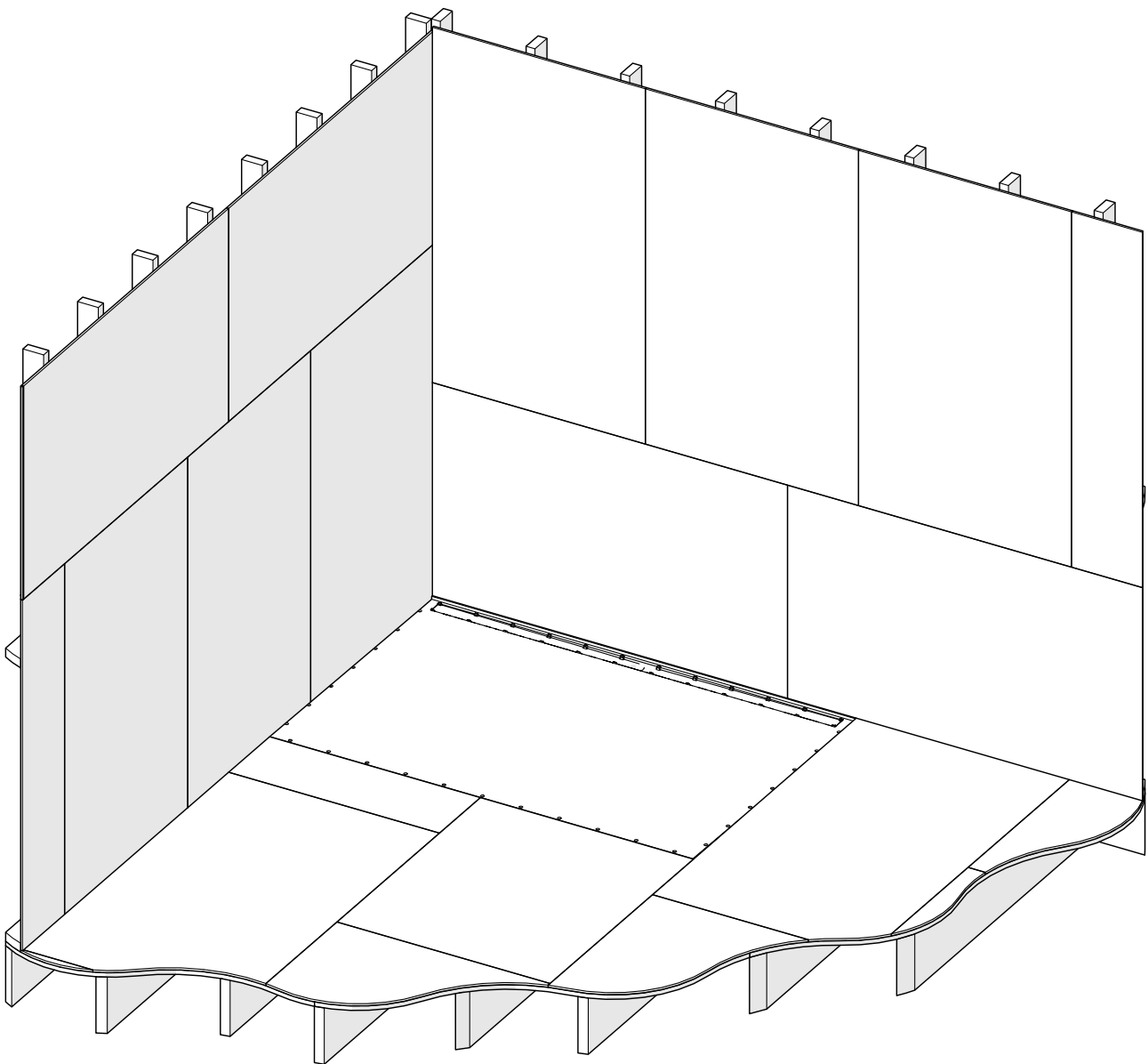
Note, the drain support blocking is not shown here for clarity.

Step 1

Cover the drain hole to protect it from any dirt or debris. Fill the screws holes around the base's perimeter with filler. Ensure that all gaps, grooves, and screw heads are filled in and level for a smooth finish.

Step 2

Prepare the floor and walls for waterproofing. Add tile backer board to any areas that will be tiled. The wall behind the drainage trough must use 1/2" backer board plus 1/2" tiles, while other walls can use thinner backer board and tiles. Alternatively, install something else, such as uncoupling membrane. Plywood can be put up if decorative laminate wall panelling will be used instead of tiles. For vinyl flooring, lay down oriented strand board or plywood.



Waterproofing

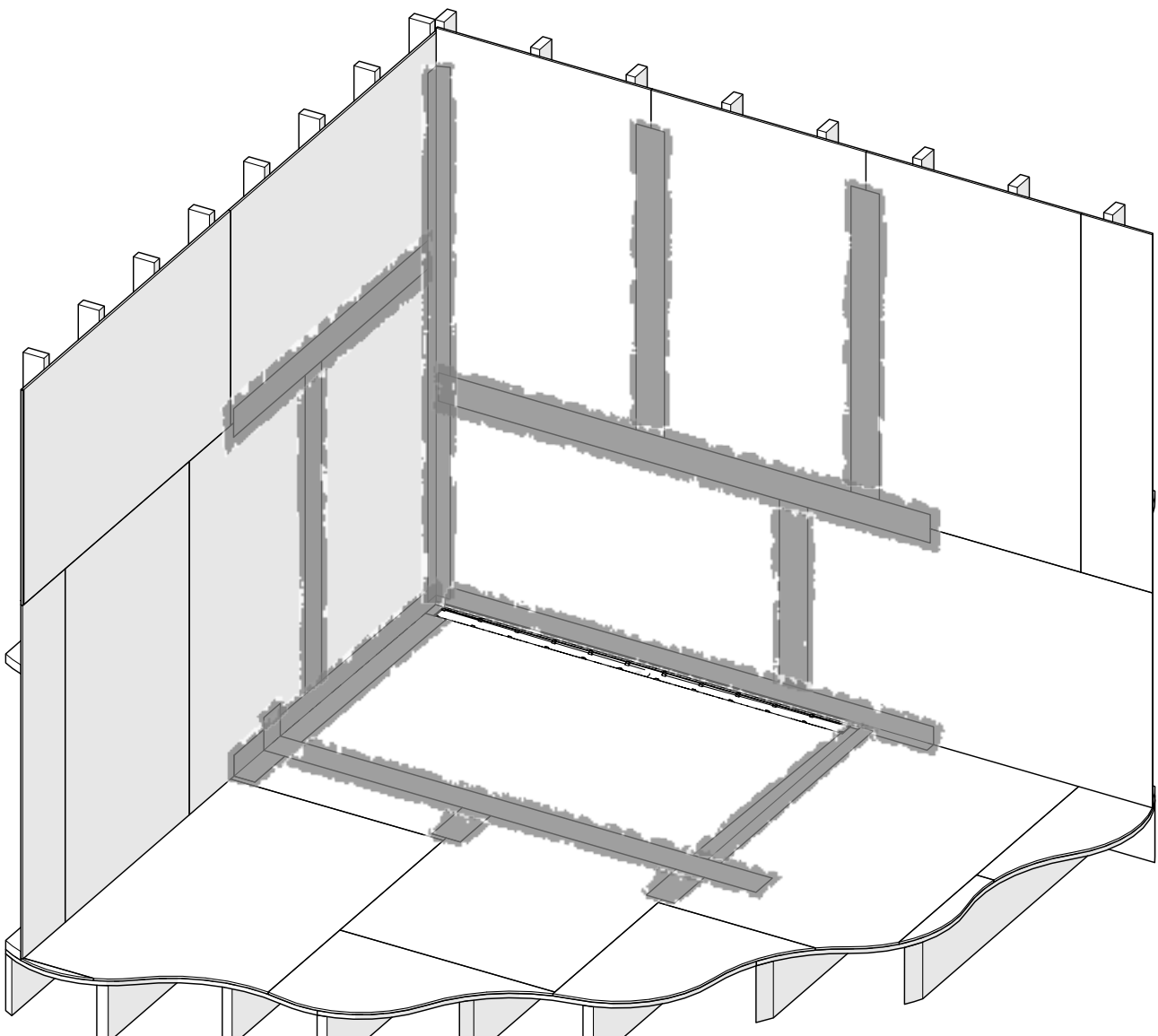
Step 3

Lightly abrade the top surface of the shower base with coarse sandpaper (80 to 100 grit). Vacuum the dust and debris up and then wipe clean with a damp sponge. All surfaces must be dry before applying waterproofing compound.

Step 4

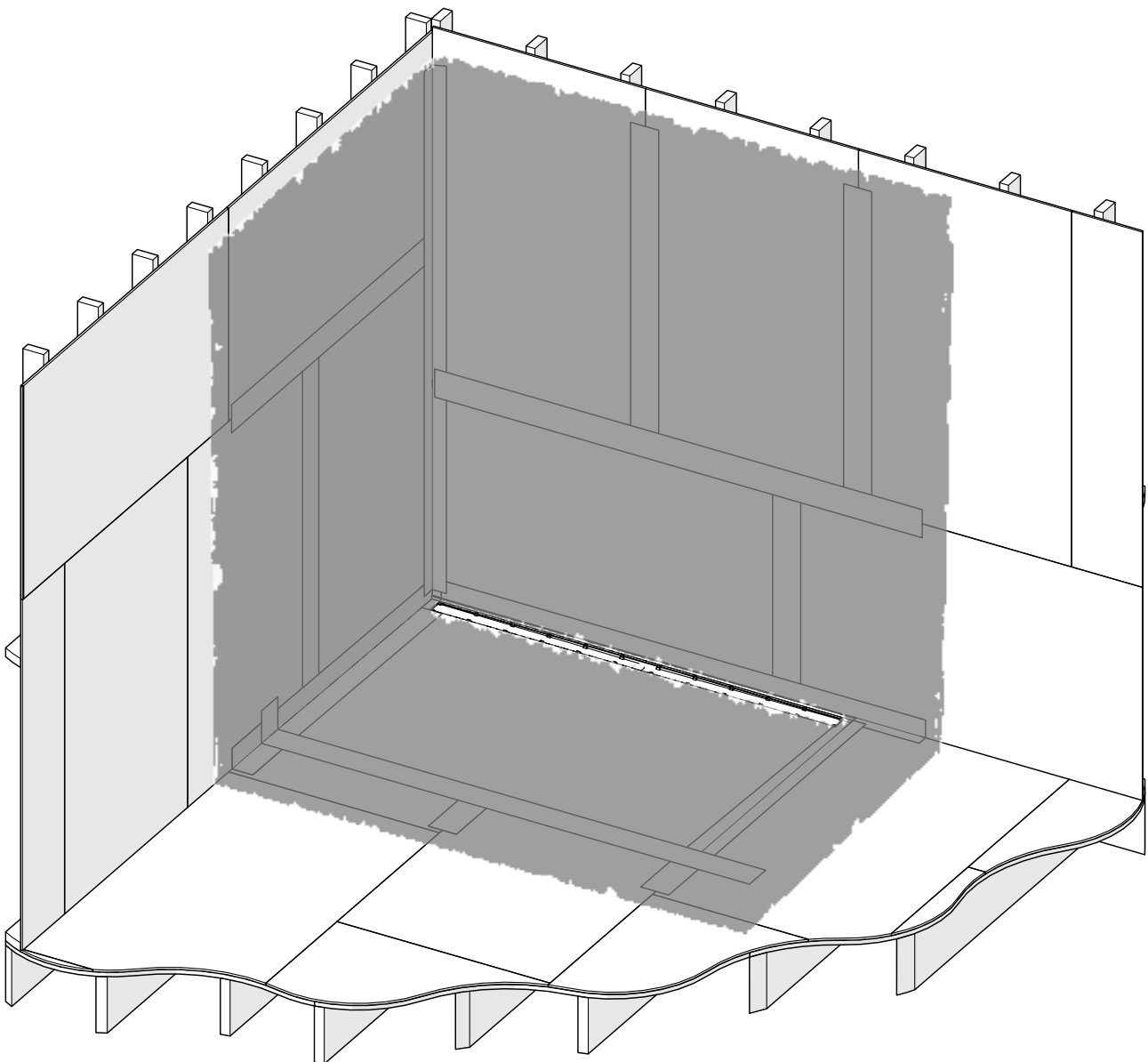
Cut strips of joint tape for each edge of the shower base and for the joins of the wall panels. The tape strips must overlap by at least 2" and must cross completely on an external corner. Apply waterproofing compound around the edges of the base and along the joins of the wall panels. Set the tape into the wet compound and then brush more compound onto the tape. Proceeding from back to front and doing one strip at a time may be convenient. Apply gaskets for the water supply pipes in the same way.

⚠ The tape must not enter the drainage trough. Run it up to the lugs and cut it just short of them.



Step 5

Once the tape and gaskets have been embedded, start on the rest of the wall. Apply waterproofing compound to the entire showering area and at least 12" beyond that area. Go even further for more protection. Once the walls are done, repeat for the floor in the same fashion as the walls. Allow the coat to dry, then apply another full coat. Let the waterproofing compound dry fully before installing the finished floor and wall, e.g. tiles/vinyl flooring/wall panels.

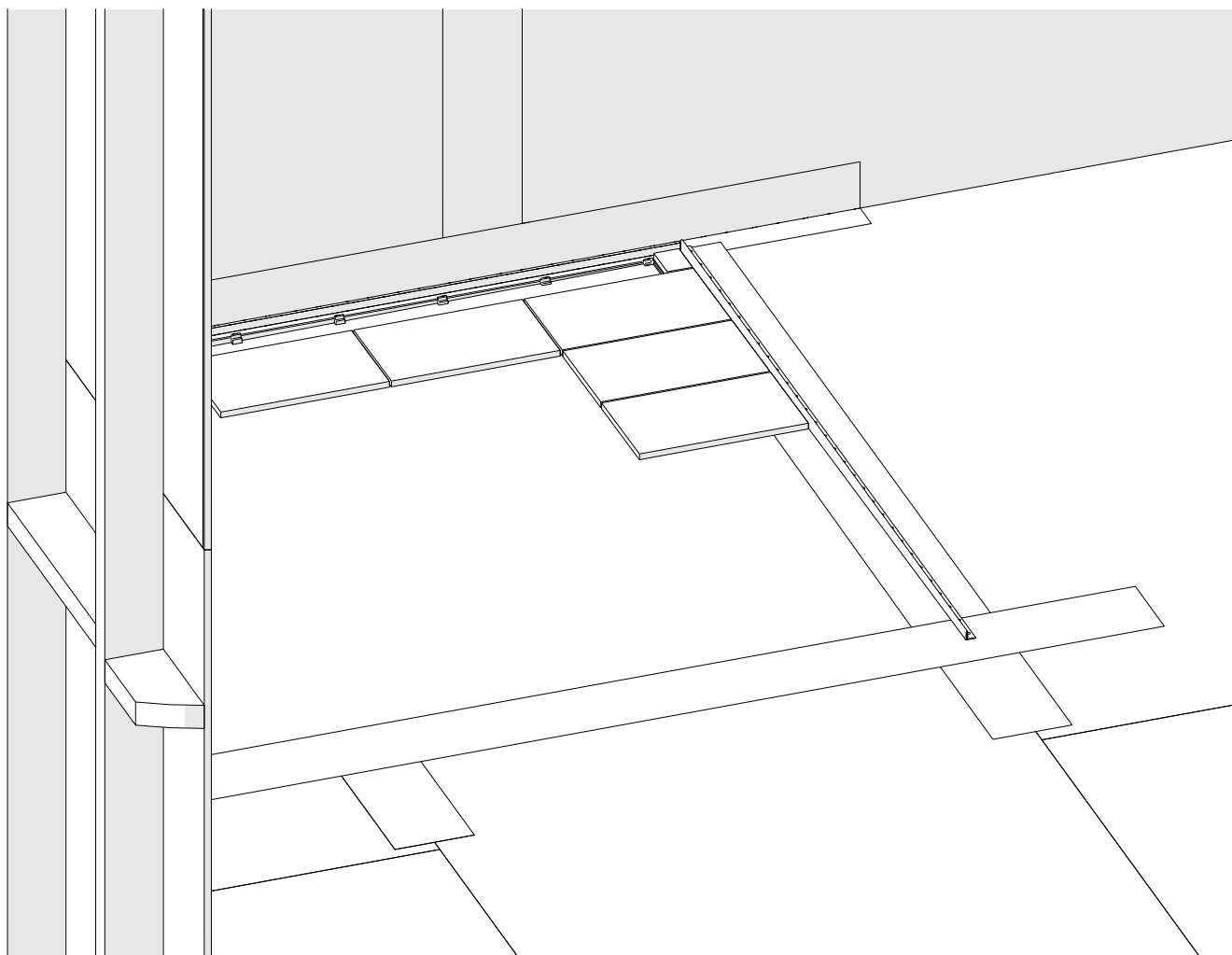


Step 1

Ensure that the stainless steel trim piece(s) is the correct height for your tiles (and the correct hand if the install is open on one side). The single sloping face of the base lends itself well to large tiles, though small tiles can be used equally well. The lugs which the drain cover fits in between also serve as a stop to run the tiles up to, thereby creating a gap for the water to drain through. The gap should run along all four sides of the drain cover.

Step 2

Begin tiling in a corner next to the drainage trough. As you progress, apply thinset mortar to the sloping edge of the shower base and the adjacent backer board. Embed the trim piece in the mortar, pressing it down along its full length until it bottoms out on the base and backer board. The shallow end of the trim should be in line with the edge of the shower base. Lay tile up to the trim, allowing for grout gaps on either side. The tip of the trim should remain visible above the tile grout and be level with the floor tiles.

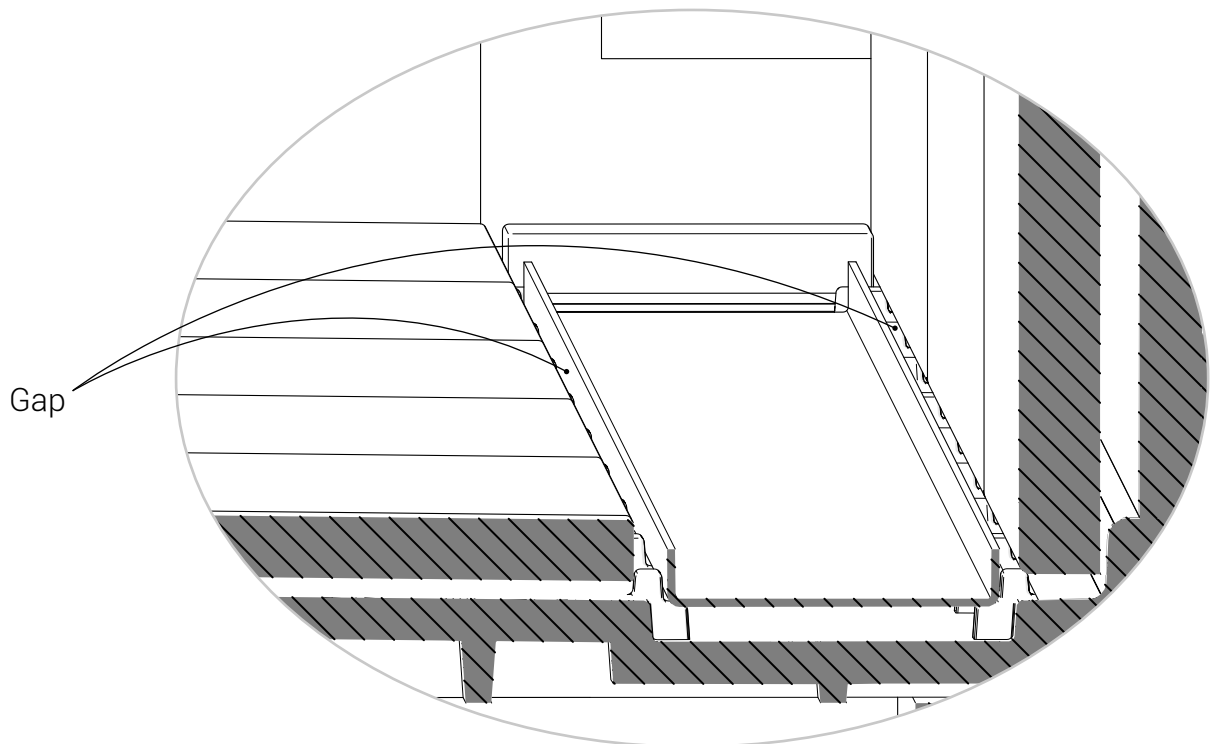
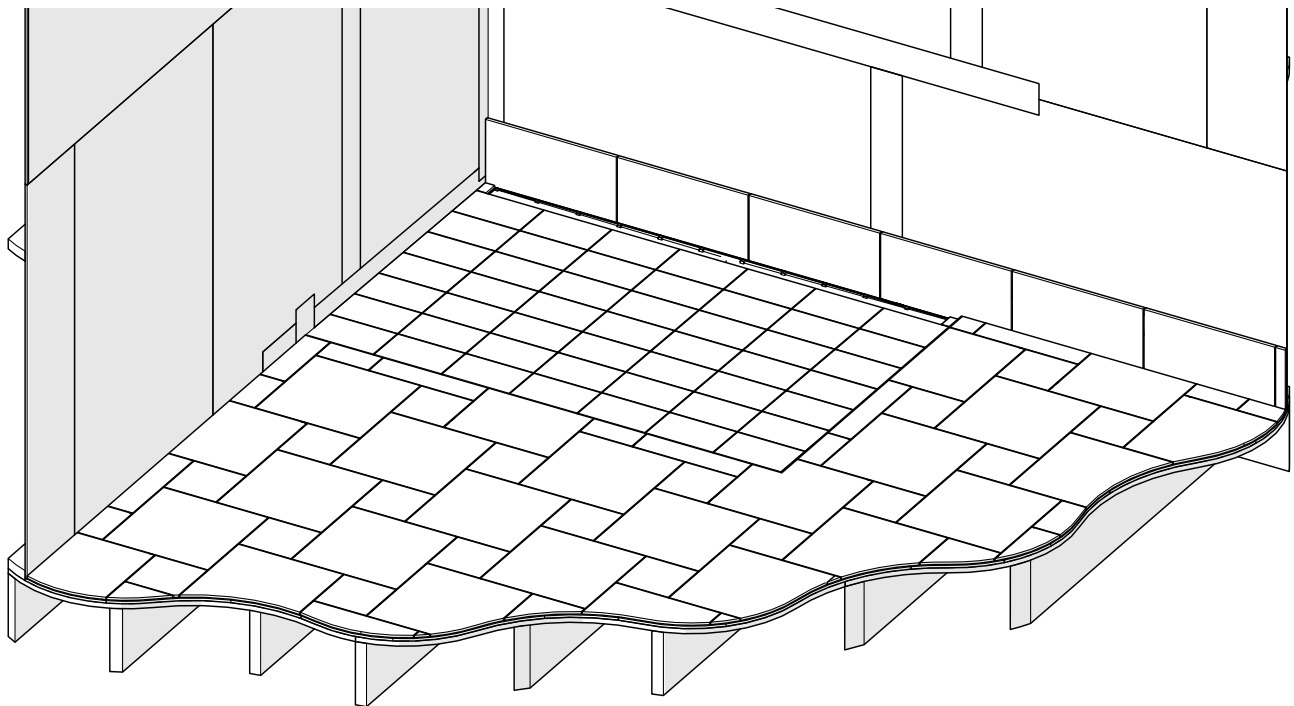


Step 3

Tile the floor before starting on the walls.

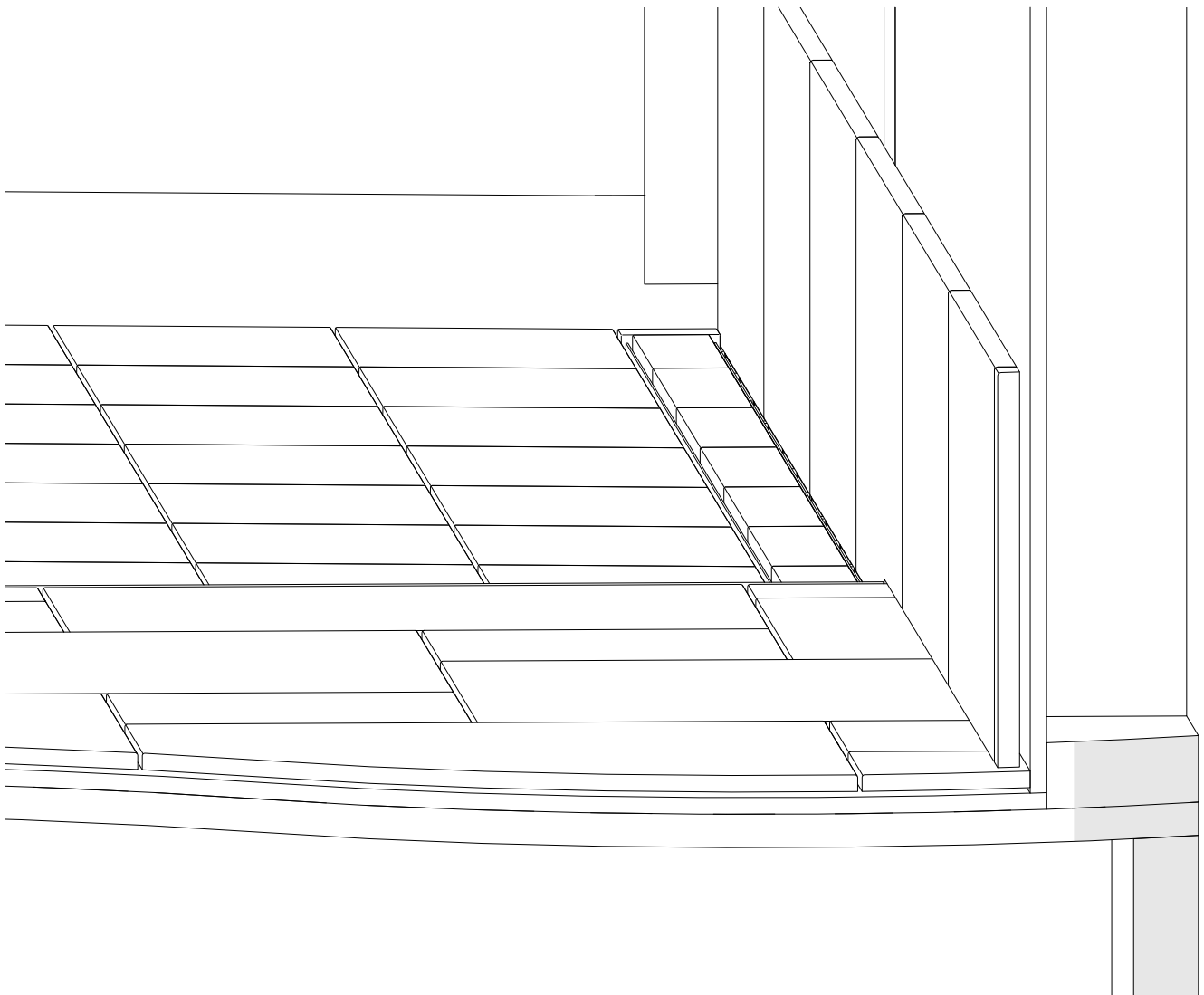
Step 4

Apply the bottom row of wall tiles, bringing it right down to the shower base. Verify that the gap between the face of the tile and the drain cover is unobstructed.



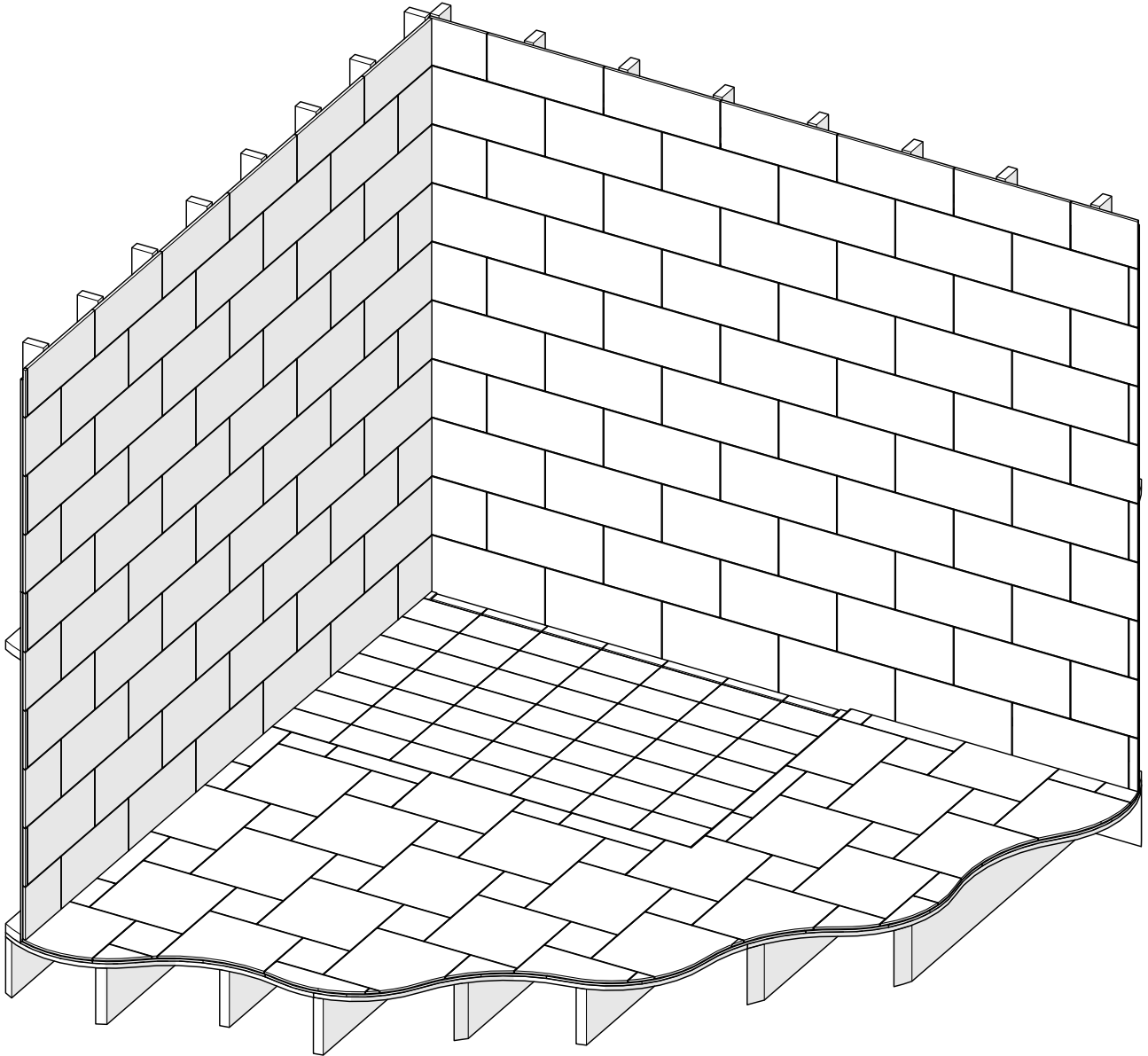
Step 5

Coat the inside of the drain cover with waterproofing compound to provide a bonding layer for the thinset mortar. Do not get any compound on the rim and outside of the cover to maintain its appearance. Install tile in the drain cover by applying a layer of mortar of the appropriate thickness and then bed the tile in. The tile in the drain cover should be level with the edge of the adjacent tile at the bottom of the base's slope.



Step 6

Finish the rest of the wall tiles, then grout.



Contact Us



General Enquiries

1-715-743-2771

info@akwresourcecenter.com

AKW Resource Center

7 Tiff Ave,
Neillsville,
WI 54456

akwresourcecenter.com

Follow us on Social:



Warranty

Warranty applies only to manufacturing or material defects, conditional on the one-time correct installation of the product. It does not apply to:

- Inappropriate use or accidental damage.
- Damage or defects that result from incorrect installation.
- Lack of maintenance including the build up of grime or damage resulting from inappropriate cleaning.
- Damage or defects that result from repairs or modifications undertaken by unauthorized persons.
- General wear and tear through usage and does not apply to surface finishes.

Warranty period starts from the date of installation.

What to do if something goes wrong?

In the event that you encounter a problem with this product, please contact your local installer. If the issue is still unresolved, please contact AKW Resource Center who will provide further advice. None of the foregoing affects your statutory rights.