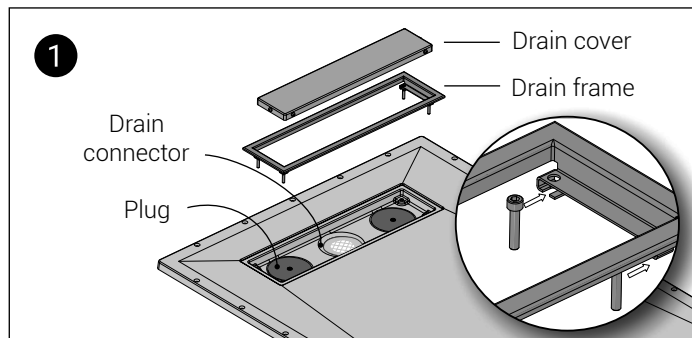


TriForm Drain

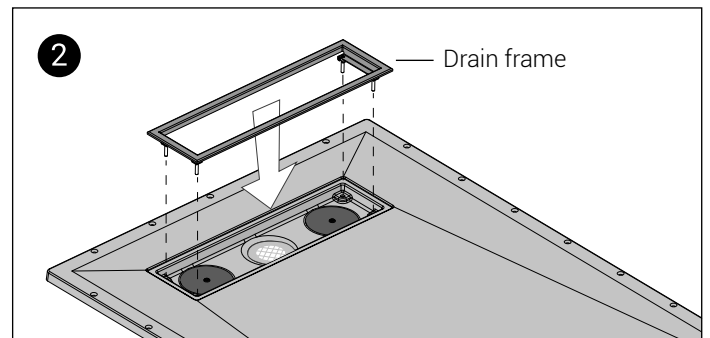
INSTALLATION INSTRUCTIONS

AKW
Resource Center

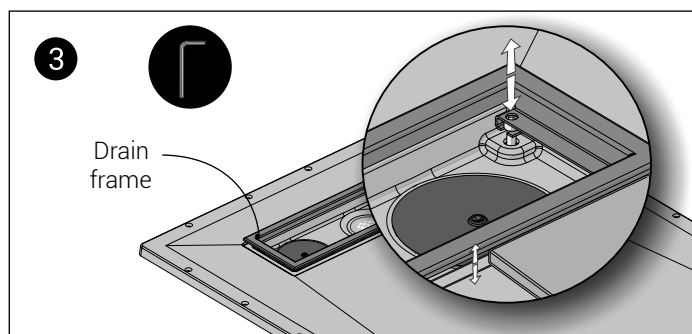
AKW Resource Center's decorative linear drain assembly attractively trims a TriForm shower base's drain gully. The drain assembly's cover can be installed with the stainless steel on display, or it can be flipped over and filled with tile or stone. There is also a slotted decorative drain cover option. Height-adjustment hardware, which will be hidden beneath the decorative drain components when the installation is completed, allows you to align the tile spacer and cover with the surface of the surrounding tile or stone. You can adjust the height of the cover and drain frame to match tiles up to 5/8" thick.



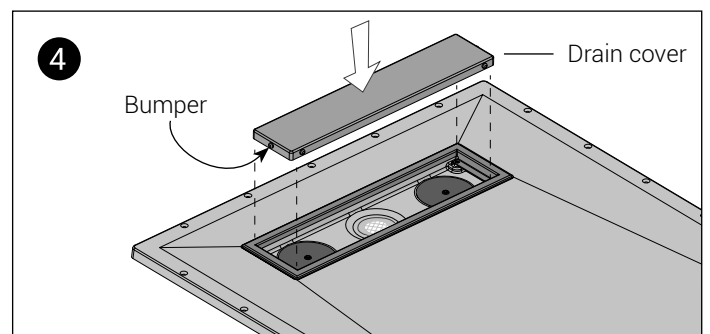
Place the linear drain into the drain gully and make sure that nothing interferes with the drain connector. Remove the drain cover and insert the hex bolts onto the drain frame.



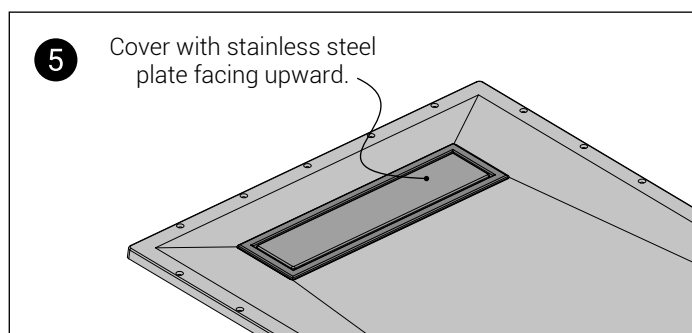
Insert the drain frame bolts into the threaded holes located at each corner of the gully.



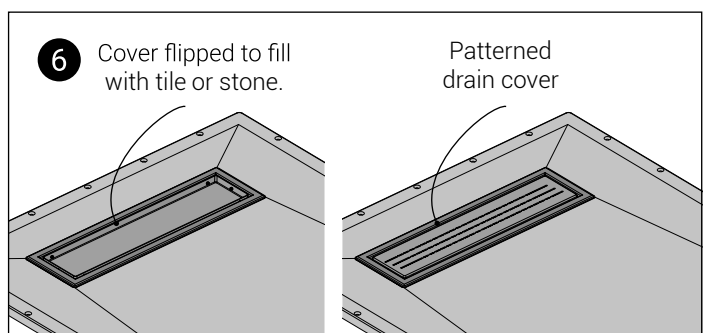
Adjust the bolts until the drain frame is level with the height of the tiles (use a hex driver if necessary). When it comes time to tiling, you'll want to pack thinset mortar under and around the drain frame once you have its elevation set.



Insert the six bumpers into holes in the edges of the cover (if needed, taper the bumper stems with a utility knife and add a drop of dish soap to insert them), Lower the drain cover into the drain frame.



You can install the drain cover so it's on display, flip it over and fill it with tile or stone or even use the decorative patterned drain cover.



If you prefer to fill the cover, first rough-up its inside surfaces with 80 grit sandpaper, then clean them with a damp cloth. After it's completely dry, brush a coat of Tank/10® waterproofing onto the steel (to improve mortar adhesion). Use a modified thinset mortar to bed your tile or stone into position.

Contact Us



General Enquiries

1-715-743-2771

info@akwresourcecenter.com

AKW Resource Center

7 Tiff Ave,
Neillsville,
WI 54456

akwresourcecenter.com

Follow us on Social:



Warranty

Warranty applies only to manufacturing or material defects, conditional on the one-time correct installation of the product. It does not apply to:

- Inappropriate use or accidental damage.
- Damage or defects that result from incorrect installation.
- Lack of maintenance including the build up of grime or damage resulting from inappropriate cleaning.
- Damage or defects that result from repairs or modifications undertaken by unauthorized persons.
- General wear and tear through usage and does not apply to surface finishes.

Warranty period starts from the date of installation.

What to do if something goes wrong?

In the event that you encounter a problem with this product, please contact your local installer. If the issue is still unresolved, please contact AKW Resource Center who will provide further advice. None of the foregoing affects your statutory rights.