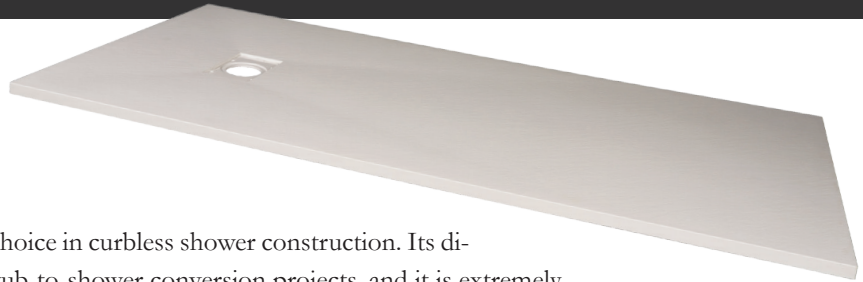


Installation Instructions

FastDEK™

ARC inc.

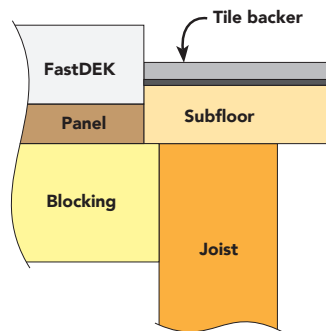
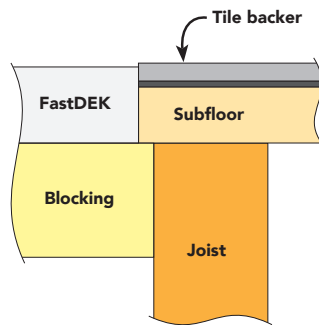


ARC's FastDEK™ offers another choice in curbless shower construction. Its dimensions are suitable for many tub-to-shower conversion projects, and it is extremely fast to install. This durable, pre-finished shower base is available in two colors, white and black, and has a textured top that is visually appealing and promotes safer bathing as a non-slip surface. At a thickness of 1", each FastDEK is structural and can be installed directly onto code-approved joist systems, on subfloor, and on concrete. It will support 840 lbs. when installed on 16" on-center joists, and that load rating can be increased by beefing up the underlying framework.

We do NOT recommend cutting the FastDEK pans.

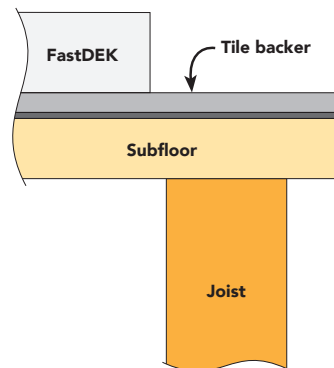
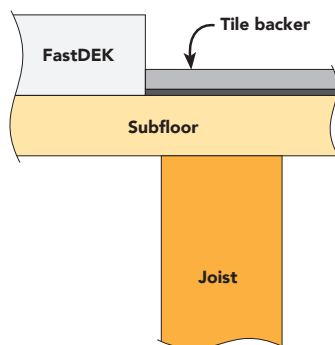
This base lends itself to use alongside ceramic tile, LVT, sheet vinyl, stone, and other flooring materials. The thickness of the decorative flooring material you choose, plus the appropriate underlayment, influence the way you install a FastDEK. You want the top surface of the FastDEK flush with or higher than the surrounding finished floor. So be sure to nail down your finished flooring choice before you plan the installation of your FastDEK shower base. The illustrations below will help you understand the relationship between the base and flooring underlayment, and the examples of installation methods on the following pages will provide you with the information you need to adapt this product to your project.

While a FastDEK is structural and can be installed directly on joists, doing so will not allow for decorative floor covering over ¼"-thick tile backer board and ¾"-thick subfloor, which code typically requires for supporting vinyl or tile floors.



For the most precise fit, remove the subfloor and install blocking, then add a panel of plywood to shim the FastDEK. Just choose a panel thickness that elevates the base to the height you need.

A time-saving option is to place the FastDEK on ¾"-thick subfloor. You don't need to add blocking under subfloor that is ¾"-thick as long as the joists meet code and are set 16" on-center.



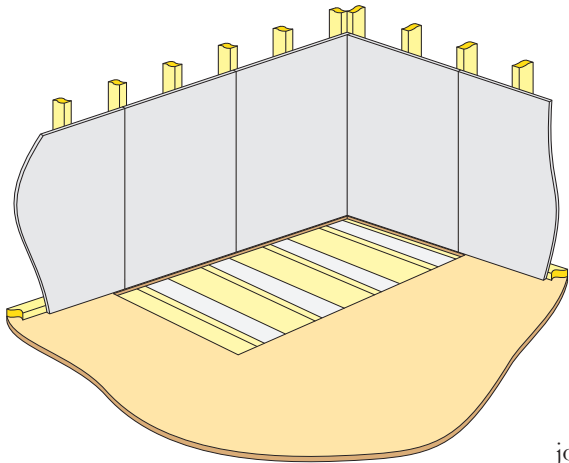
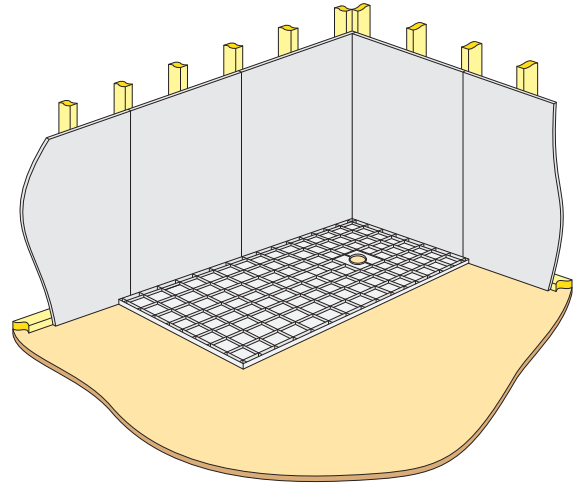
Here's another time-saving option: Install a FastDEK on top of tile backer board. This will accommodate most decorative floor coverings, create a short step-in reveal, and may offer a visual appearance that you prefer.

EXAMPLE #1

As with all ARC shower bases, you'll need to adapt the techniques shown here to install your FastDEK base at your site. In this example the base will be set on a recessed panel and against walls that have wall board already installed. This is just one example used to illustrate installation principles. Adapt installation techniques from Example #1 and Example #2 to meet your particular installation needs.

STEP 1

Turnover your FastDEK (so it doesn't rock on the drain ring), position it against the wall board, and outline the base. Cut the subfloor at the layout lines using several tools: a circular saw, and a reciprocating saw or a flush-cutting saw to make the cuts along the walls. Many multi-tools also do flush-cuts. Be sure to check for wiring or other obstacles below the subfloor before any drilling or cutting. As you cut, remove the layout lines; this will create about a $\frac{1}{16}$ " gap around the base for a perfect fit. You may want to cut the waste panel into smaller pieces to ease its removal.

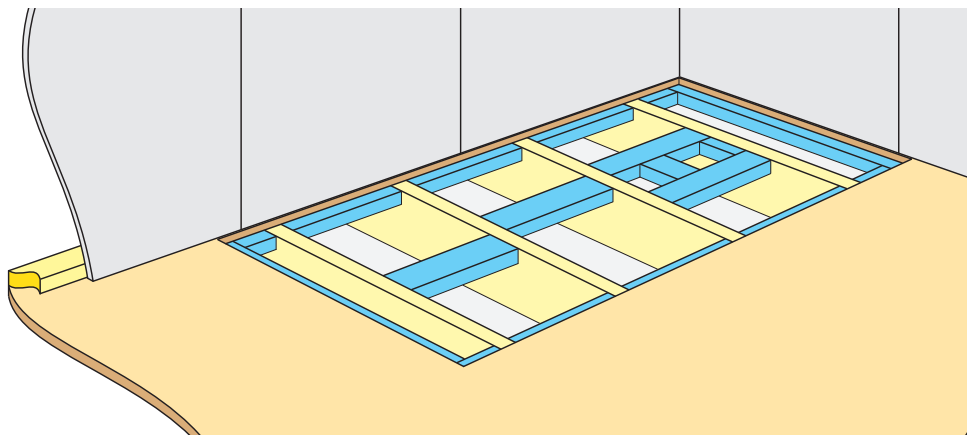


STEP 2

With the waste removed and the joists exposed, check the fit of the shower base. Make sure it fits easily into the cutout with a narrow gap to spare (you'll need $\frac{1}{16}$ " for the flange tape to fit in an upcoming step). After making corrections for the fit, check the joists to see that they are level and even with each other. If they are not level and even with each other, you'll need to correct the issues. The shower base must be level, and to avoid flex in the base, the joists must be even with each other.

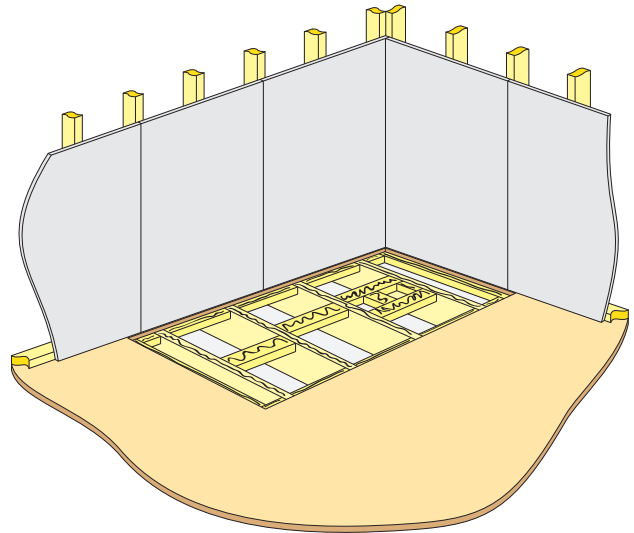
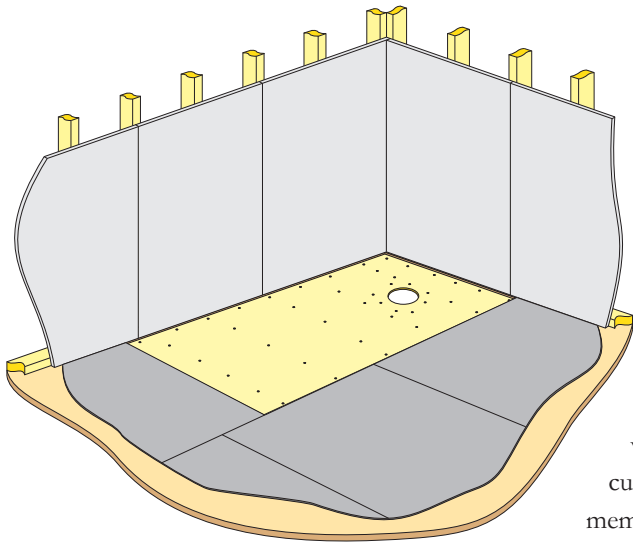
STEP 3

Using 2x4s, add blocking between joists to fully support the FastDEK — you'll need to adapt the blocking techniques you see here to the joist layout at your project site. Add blocking to support the perimeter of the shower base and the adjacent subfloor — position each 2x4 so half is under the subfloor and half is exposed to support the shower base. Apply construction adhesive to the half of each 2x4 that supports the subfloor. Use screws to secure blocking to the subfloor and joists. Blocking to support the drain hole of the shower base is very important. Position blocking so it will be just outside the drain hole reinforcement ring on the underside of the shower base. Also, for good measure, install blocking in each open joist bay — this may be overkill, but going the extra mile usually pays off in the quality and durability of most home improvement projects.



STEP 4

Once you have the blocking thoroughly installed, cut a 1/2"-thick panel and dry fit it on the framing. Check it for level and for the consistency of support — you want a tight fit between the framing and the panel. Most importantly, the base must be level and this is the time, with the framing exposed, to make adjustments to ensure that result. When you're confident that the framework is properly prepared, apply construction adhesive to all blocking and joists.

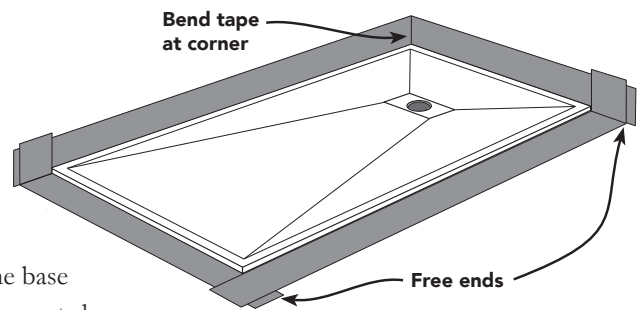
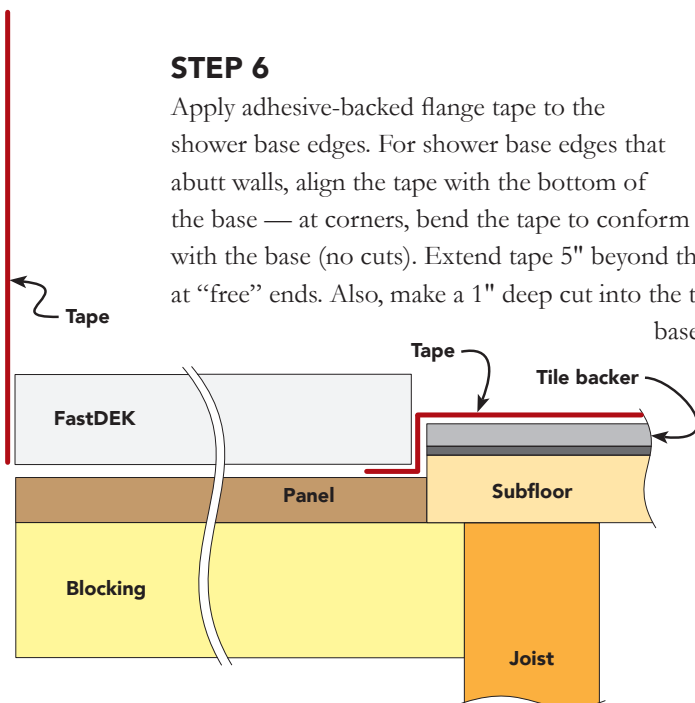


STEP 5

Set the 1/2"-thick plywood panel on the framework and screw the panel to the blocking and joists. Then position the shower base on the panel and outline the drain hole with a heavy marker or carpenter's pencil. Remove the shower base and draw a 5 1/2"-dia. hole centered on the drain hole outline. Next, bore an entry hole into the drain hole waste area with a 1/2" drill bit, then cut the circle with a saber saw or reciprocating saw. Again, be sure to check for wiring or other obstacles below the subfloor before any drilling or cutting. Now add code-compliant tile backer board or uncoupling membrane to the surrounding floor. Follow manufacturer's instructions for installing their product.

STEP 6

Apply adhesive-backed flange tape to the shower base edges. For shower base edges that abutt walls, align the tape with the bottom of the base — at corners, bend the tape to conform with the base (no cuts). Extend tape 5" beyond the base at "free" ends. Also, make a 1" deep cut into the tape at shower

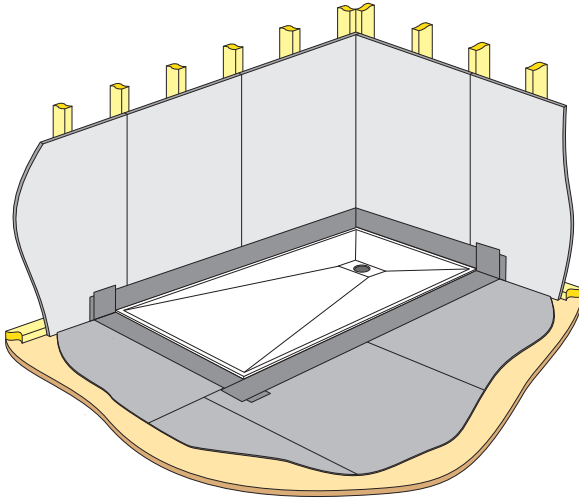
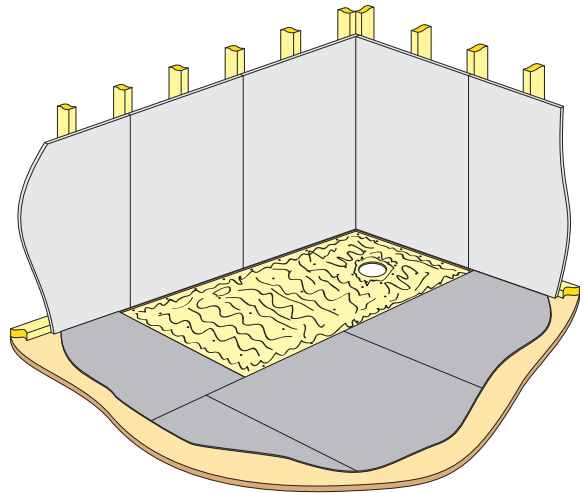


base corners to allow "free" ends to lay flat against a wall.

For shower base edges abutting the subfloor, position the top of the tape's adhesive strip so it aligns with the surface of the tile backer board or uncoupling membrane you plan to install — excess tape can go under the shower base. Make a 1" deep cut into the tape at shower base corners to allow "free" ends to lay flat on the floor or wall.

STEP 7

Generously apply polyurethane construction adhesive to the panel. Dispense the polyurethane adhesive in thick lines throughout the entire panel area. You must use polyurethane construction adhesive for this part of the project because it bonds to wood, plastic, and fiberglass. As an alternative, you may use modified thinset mortar for this step — spread it with a 1/2" x 1/2" notched trowel.



STEP 8

Set the FastDEK onto the panel making sure to keep the flange tape from folding under the base. It's a good idea to apply some weight to the shower base for a couple of hours while the construction adhesive begins to cure — 50 lb. bags of grout or mortar work great, or filled 5 gallon pails also do the job nicely.

STEP 9

With the base installed on the panel you can begin embedding the flange tape in waterproofing compound. Hold the tape away from the wall so you can brush Tank/10 liquid waterproofing onto the wall board in areas where tape will reside. Coat a wall area generously,

making sure it remains

wet before you

press the tape into

it (some types of tile

backer board absorb liquid

waterproofing very fast, so you

may have to recoat the surface sev-

eral times before it remains wet

— glistening — when you

reposition the tape).

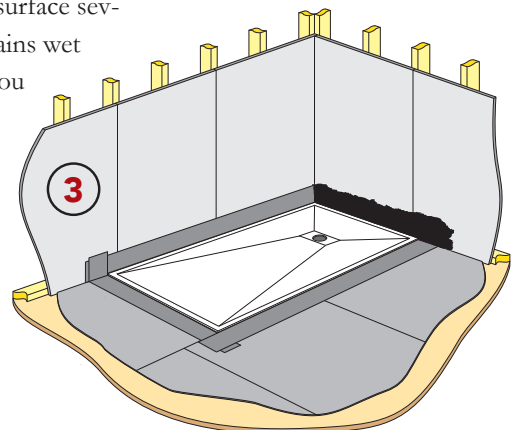
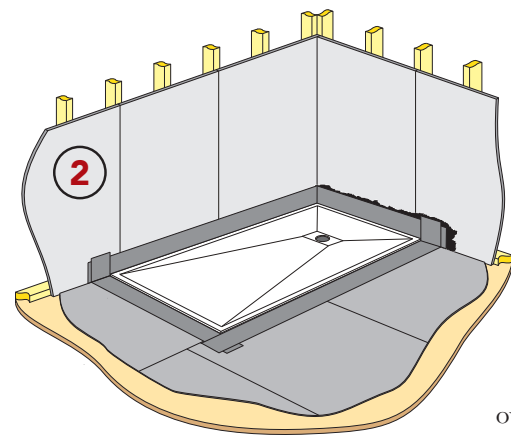
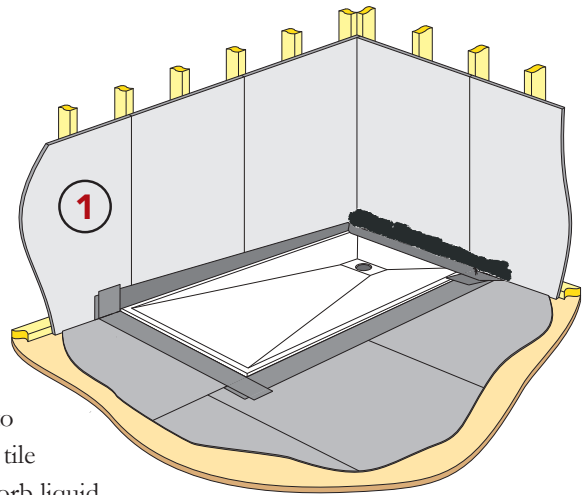
Return tape to the

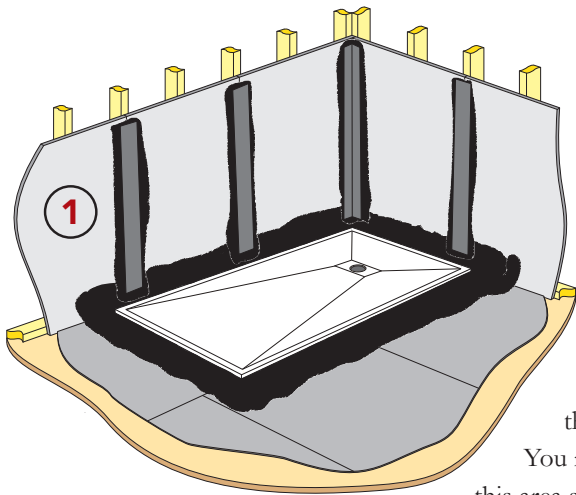
wall and brush Tank/10

over it thoroughly. Brushing

will press the tape into the com-

compound already on the wall, as long as it is still wet. At the “free” ends, be sure to brush Tank/10 between the layers of tape so that all components become bonded together in a unified layer of protection against unwanted water penetration.



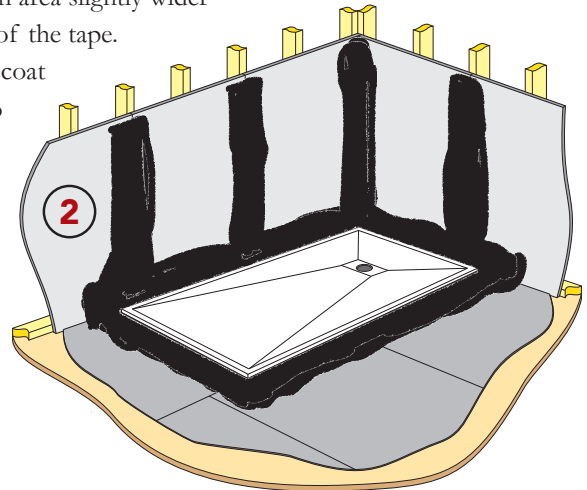


STEP 10

After embedding all the flange tape around the shower base turn your attention to waterproofing the joints between wall board panels. The trick with waterproofing is to work from the back of the shower to the front as much as possible. This progression helps keep you from stepping into wet and sticky material. Just as you did with the flange tape, begin by brushing compound generously over one wall board joint from floor to ceiling in an area slightly wider than the width of the tape.

You may need to recoat this area several times to

keep it wet. As mentioned, some tile backer materials absorb waterproofing compound very quickly, and you want to have the compound remain wet on the surface when you add the tape. With wet waterproofing compound on the wall, place a strip of tape over the joint and immediately brush more compound over the tape. Brushing will press the tape to the wall and embed it properly. Repeat this process for each joint.



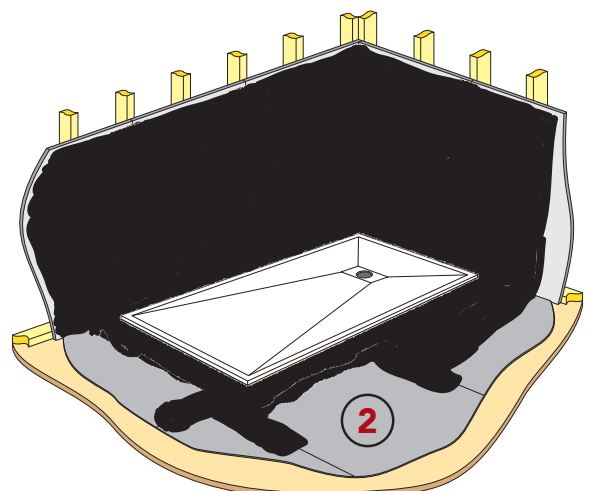
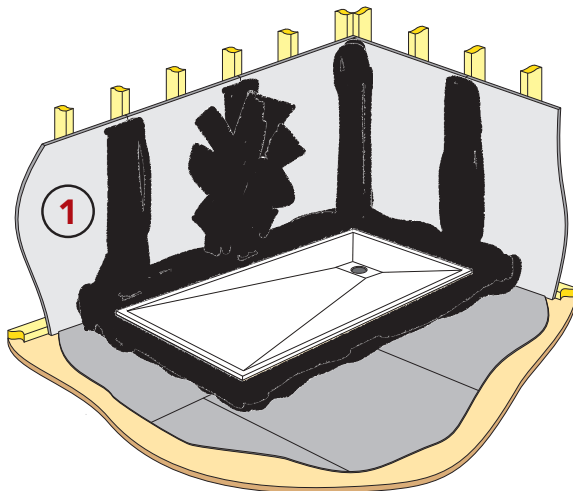
STEP 11

Once you've embedded tape over all the joints, apply a coat of waterproofing to the entire area. You don't have to allow Tank/10 to dry before applying this coat. Use a brush and a paint roller equipped with a 1/2" nap cover to spread the waterproofing compound over the walls in the wet area of the shower and at least 12" beyond (even further if you want more protection, though you also need to embed tape over any joints to achieve true waterproofing protection). Typically, drying takes about 2 hours. Putting a fan or dehumidifier in the room will help dry the waterproofing compound.

After the walls are fully covered, embed tape over flooring joints at least 12" beyond the shower base (more is better), then coat the floor with waterproofing compound to the end of the taped joints.

Allow the full waterproofing coat to dry on the walls and floor (usually about 2 hours), then apply a second coat over everything (walls and floor) to complete the waterproofing. Let the second coat of waterproofing dry at least 12 hours before tiling.

Later, when you finish installing decorative wall and floor covering, seal joints around the shower base with silicone.

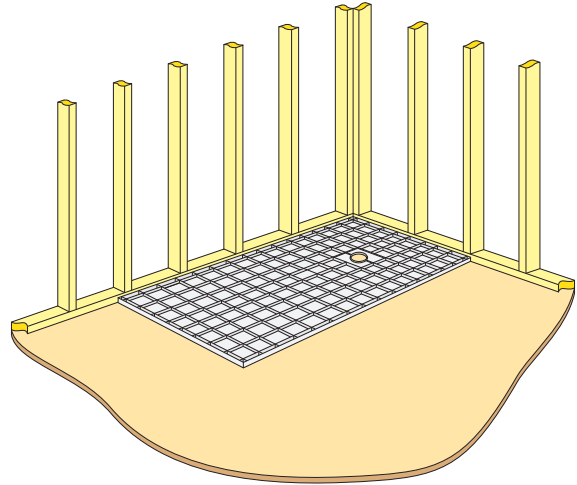


EXAMPLE #2

As with all ARC shower bases, you'll need to adapt the techniques shown here to install your FastDEK base at your site. In this example the base will be set against stud walls and on the original $\frac{3}{4}$ "-thick subfloor, which provides sufficient support and rigidity for the shower base (a subfloor thinner than $\frac{3}{4}$ " is inadequate and requires blocking underneath). Feel free to adapt installation techniques in Example #1 with Example #2 to meet your particular installation needs.

STEP 1

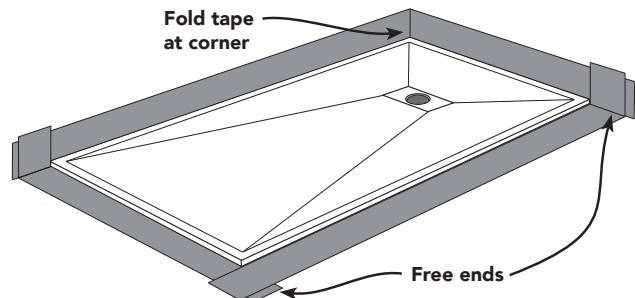
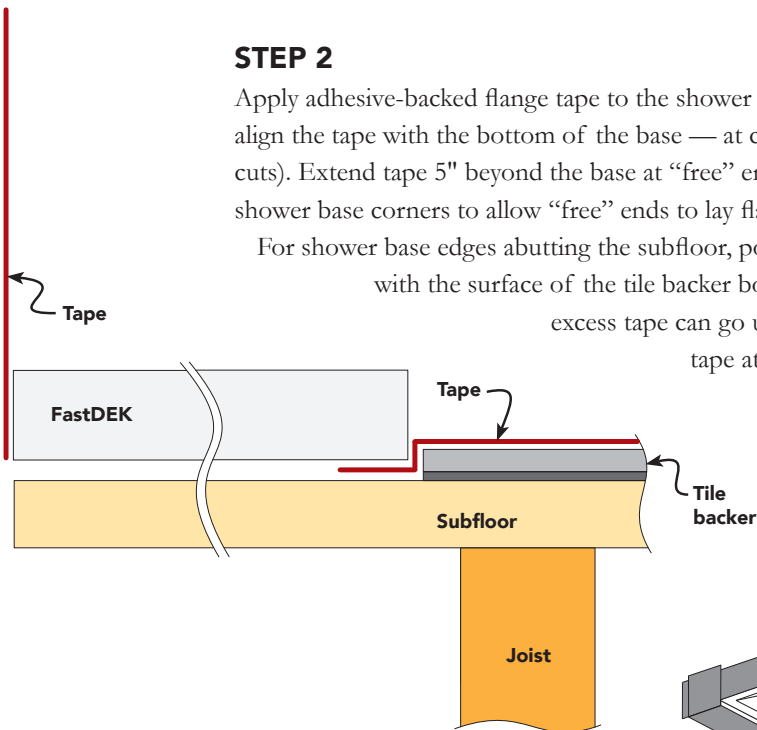
Position the shower base on the subfloor and outline its perimeter and the drain hole with a heavy marker or carpenter's pencil. Remove the base and draw a hole on the subfloor for the shower base's drain hole that is $5\frac{1}{2}$ " in diameter, centered on the hole outline you just made. To cut out a hole for the drain in the subfloor, first drill a $\frac{1}{2}$ " hole so you can insert a saw blade, then cut the hole using a saber saw or reciprocating saw. Be sure to check for wiring or other obstacles below the subfloor before any drilling or cutting. After cutting the hole, check that the subfloor is level and thoroughly fastened to the joists below. You may need to screw down the subfloor to eliminate all flex. It is absolutely necessary that you install your FastDEK on a level surface.

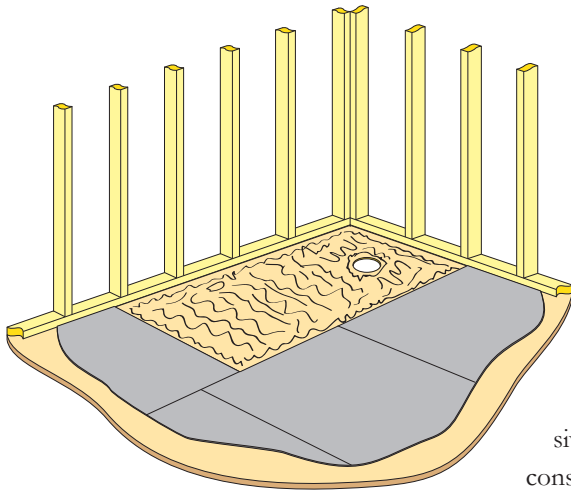


STEP 2

Apply adhesive-backed flange tape to the shower base edges. For shower base edges that abutt walls, align the tape with the bottom of the base — at corners, bend the tape to conform with the base (no cuts). Extend tape 5" beyond the base at "free" ends. Also, make a 1" deep cut into the tape at the shower base corners to allow "free" ends to lay flat against a wall.

For shower base edges abutting the subfloor, position the top of the tape's adhesive strip so it aligns with the surface of the tile backer board or uncoupling membrane you plan to install — excess tape can go under the shower base. Make a 1" deep cut into the tape at shower base corners to allow "free" ends to lay flat on the floor or wall.





STEP 3

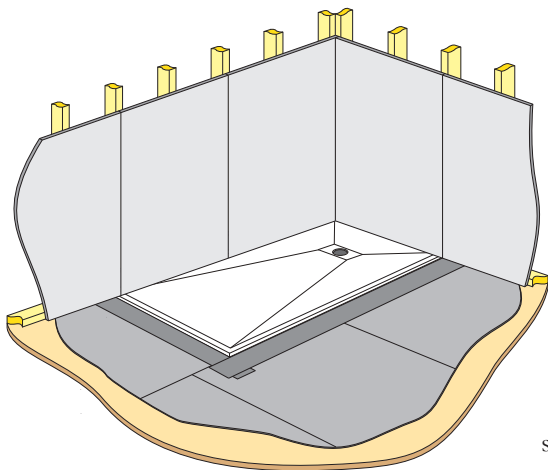
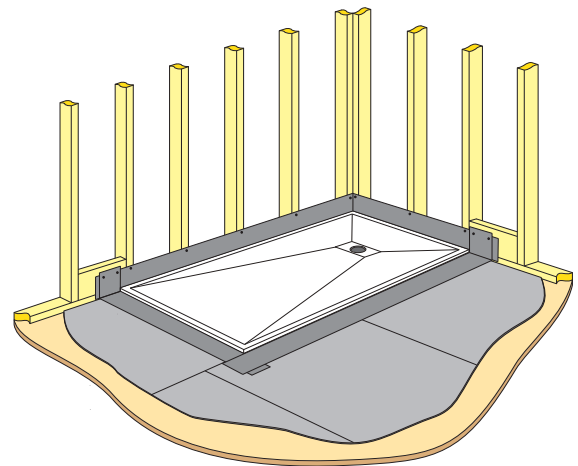
Install tile backer board or uncoupling membrane on the subfloor outside the shower base installation area. Follow manufacturer's instructions for the installation of their product. Leave a narrow gap of about $\frac{1}{16}$ " around the shower base area to accommodate the flange tape that will be installed later. If you need to position the shower base on the subfloor to act as a guide while installing the tile backer board or uncoupling membrane, please do so.

After checking the fit of the base within the tile backer board or uncoupling membrane, generously apply polyurethane construction adhesive to the shower base area. Dispense the polyurethane adhesive in thick lines throughout the entire area. You must use polyurethane construction adhesive for this part of the project because it bonds to wood, plastic, and fiberglass. As an alternative, you may use modified thinset mortar for this step — spread it with a $\frac{1}{2}$ " x $\frac{1}{2}$ " notched trowel.

STEP 4

Position the FastDEK onto the subfloor making sure to keep the flange tape from folding under the base. It's a good idea to apply some weight to the shower base for a couple of hours while the construction adhesive begins to cure — 50 lb. bags of grout or mortar work great, or filled 5 gallon pails also do the job nicely.

Nail the appropriate segments of flange tape to the studs — roofing nails or any common nail with a wide head will do.



STEP 5

Now add tile backer board to the stud walls. By installing tile backer board to the walls at this stage, the panels will overlap the shower base. Some installers prefer this approach, while others prefer to have the stud walls covered before installing the shower base. It's your choice. Follow manufacturer's instructions for installing their product.

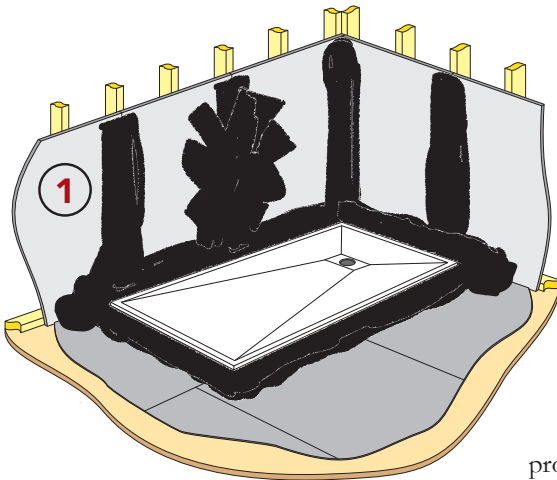
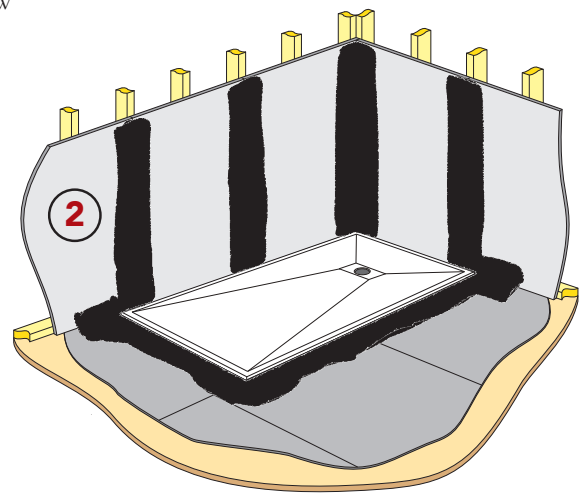
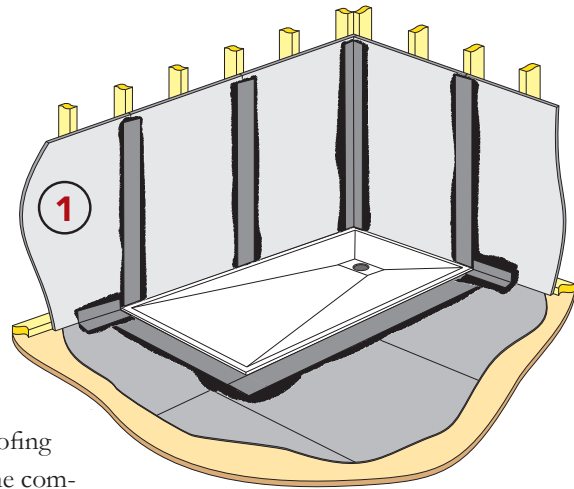
Do note that you will need to notch wall panels to conform with the step formed at the transition from the shower base to the tile backer board or uncoupling membrane. No big deal; just something to notice.

STEP 6

With the walls and floor prepped for tile or another appropriate decorative surface material, you can begin waterproofing all the joints. The trick with waterproofing is to work from the back of the shower to the front as much as possible. This progression helps keep you from stepping into wet and sticky material.

First brush Tank/10 waterproofing compound over a back corner wall joint. Make sure the compound remains wet (glistening). Some wall board materials absorb waterproofing very quickly, so you may have to brush compound onto the joint several times to keep it wet. With wet waterproofing over the joint, place a strip of joint reinforcement tape into the compound, folding the tape at its center and tucking it into the corner. Now brush more compound over the tape. This process is called embedding the tape. Repeat this procedure with each wall joint in the shower area and with the exposed flange tape. Be sure to brush compound between the overlapping tape at the outside corner of the shower base — you want all layers to be embedded together. In addition, embed a piece of folded tape about 10" long at the intersection of the floor and wall just outside the corners of the shower base.

Many installers prefer to extend the waterproofed area beyond the shower zone. This is easily accomplished by embedding tape over wall joints as far as you care to go.



STEP 7

After you have all the wall joints and shower base perimeter joints covered with embedded tape, put a full coat of waterproofing over the walls in the shower area. You don't have to wait for the embedding compound to dry before you proceed with the full coat. Use a brush and a roller equipped with a 1/2" nap cover.

Once you've covered the walls with a full coat of Tank/10, embed tape over floor joints to at least 12" beyond the shower base (just as with the walls, you may prefer to go further into the room with the water-

proofing). Right after you embed tape over the floor

joints, apply a full coat of Tank/10 on the floor from the shower base to the ends of the taped joints.

Allow the full waterproofing coat to dry on the walls and floor (typically a 2 hour dry time). Putting a fan or dehumidifier in the room will help dry the waterproofing compound. Finally, apply a second coat over everything to complete the waterproofing. Let the second coat of waterproofing dry at least 12 hours before tiling.

Later, when you finish installing decorative wall and floor covering, seal joints around the shower base with silicone.

