

Product Overview

Designed to offer a contemporary finish for all TrueDEK Classic and TrueDEK Classic8 shower bases, the Classic Tile-In Drain features a square drain cover made of durable stainless-steel which can be filled with decorative tile (up to $\frac{3}{8}$ " - $\frac{1}{2}$ " thick) to match the rest of the shower floor for a 'barely there' look.

Physical Characteristics

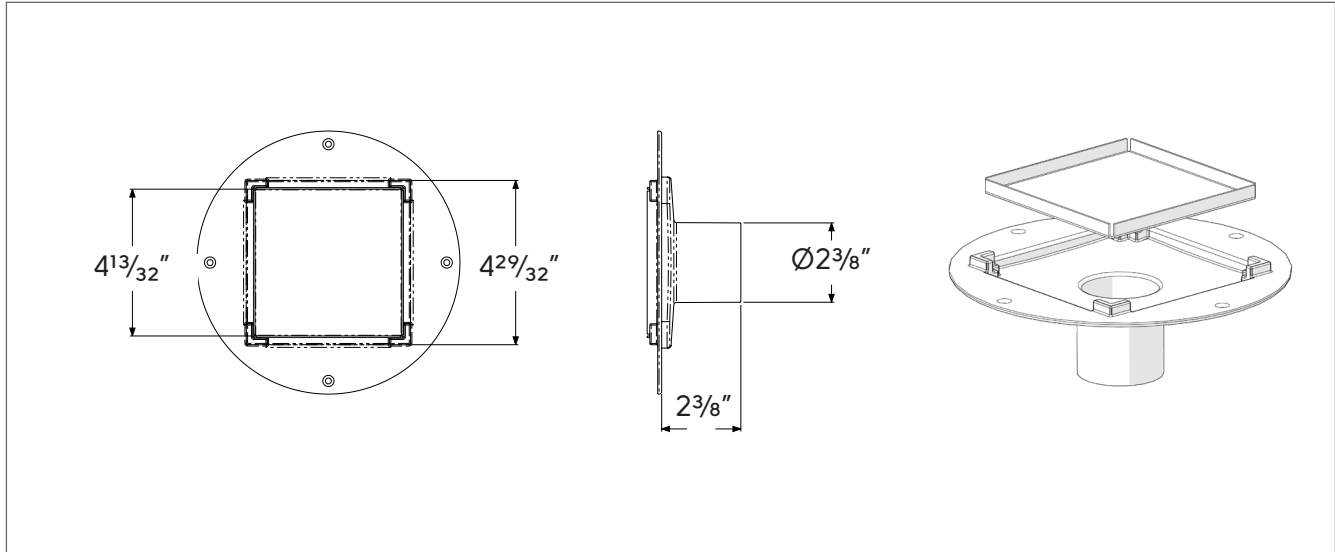
- + Tile-In Drain assembly formed of 2 parts:
 - 1 x Stainless-steel drain cover
 - 1 x PVC plastic drain assembly
- + Square drain plate accommodates minimum $\frac{3}{8}$ ", maximum $\frac{1}{2}$ " thick tile
- + 4 pre-drilled pilot holes on assembly perimeter
- + Supplied with a drain gasket, 4 screws and a 2" Fernco Hub drain coupling
- + Compatible with all TrueDEK Classic and TrueDEK Classic8 shower bases

Performance Characteristics

- + Fill drain cover with $\frac{3}{8}$ " - $\frac{1}{2}$ " thick tile to match rest of the bathroom floor for an enhanced finish
- + Drain assembly and cover made from PVC and stainless steel for durability and long life
- + 6 gallons per minute max. flow rate (consult a plumber to calculate needs for a high flow shower)
- + Pre-drilled pilot holes for quick and easy installation



Dimensions



Other Information

- + AKW Limited lifetime warranty on drain assembly
- + 10-Year warranty on drain connector (supplied)

Product Code

Classic Tile-In Drain

CD1260