

Tuff Form Tile-In Drain

Product Overview

Designed to offer a contemporary finish for Tuff Form and Tuff Form8 Shower Bases, the Tuff Form Tile-In Drain features a square drain cover made of durable stainless steel which can be finished with decorative tile or stone (up to 1/4" thick) to match the rest of the shower floor for a 'barely there' aesthetic.

Features & Benefits

- + Square drain cover can be finished with 1/4" thick tile or stone to match rest of the bathroom floor for an enhanced cosmetic finish
- + Drain assembly and cover made from PVC and stainless steel components for durability and long life
- + Designed to accommodate 6-7 gallons per minute maximum flow rate (consult a plumber to calculate needs for a high flow shower)
- + Pre-drilled pilot holes on perimeter for quick and easy installation
- + For a watertight connection, solvent weld drain connector (supplied) to 2" diameter drain line

Technical Specification

- + Drain assembly formed of 2 parts:
 - 1 x Stainless-steel drain cover
 - 1 x PVC plastic drain assembly
- + Drain cover accommodates 1/4" thick tile or stone
- + 4 x pre-drilled pilot holes on assembly perimeter
- + Supplied with 1 x drain gasket, 4 x screws and 1 x 2" Fernco Hub drain connector
- + Compatible with all Tuff Form/Tuff Form8 shower bases

Warranty & Approvals

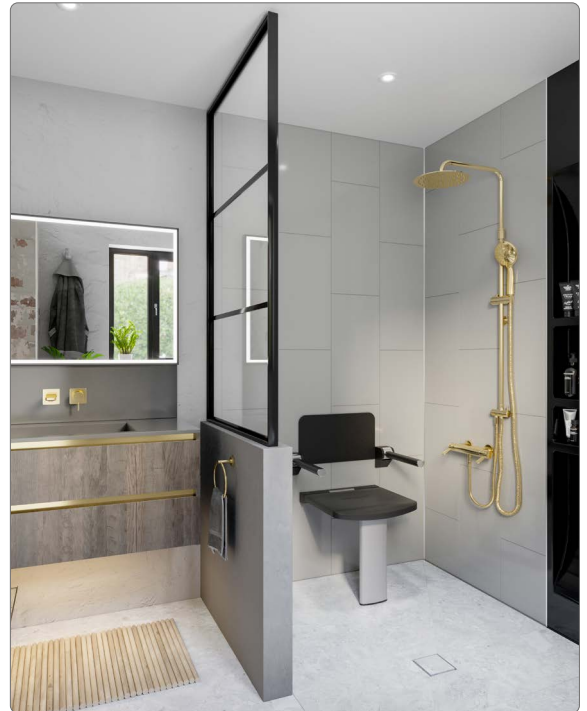
- + AKW Limited lifetime warranty on Drain Assembly
- + 10-year warranty on Drain Connector



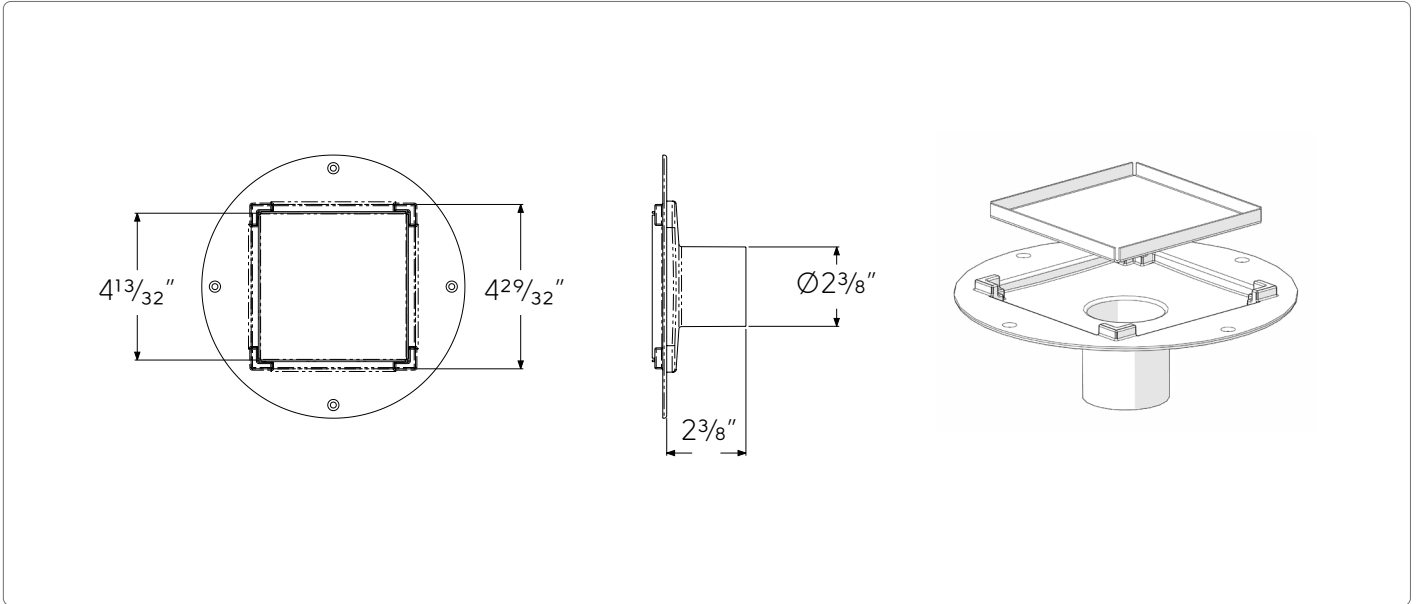
On Drain
Assembly



On Drain
Connector



Dimensions



Product Code

Tuff Form Tile-In Drain

CD1260