

4000 Series Shower Seat

Item Code and Description

- a. 04030 . . . Wood slatted seat

General Product Description

- a. fold-up shower seat

Physical Characteristics

- a. stainless steel frame, legs, and mounting bracket
- b. rubberwood slats
- c. includes two sets of lower legs, each with holes to adjust height of seat
- d. rubber feet
- e. one foot in each pair of legs has fine height adjustment feature
- f. seat swings to fold against wall
- g. color: polished stainless steel; tan wood slats
- h. weight: approximately 15 lbs.
- i. fasteners not included due to the vast variety of wall and blocking types and thicknesses

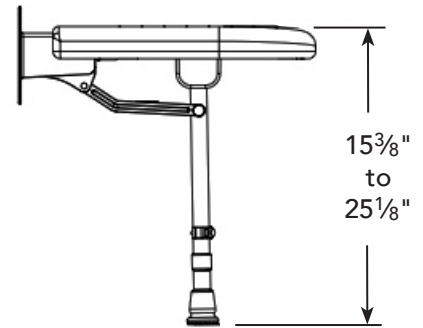
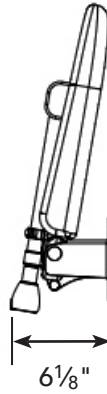
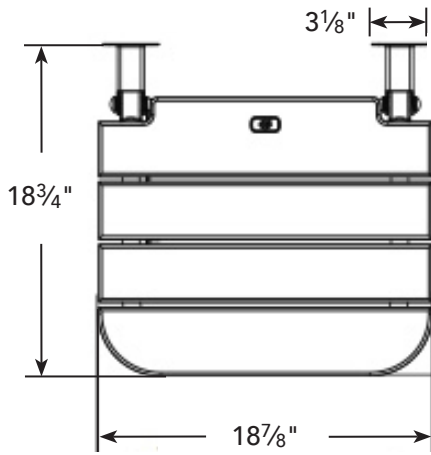
Performance Characteristics

- a. supports up to 560 lbs. when properly installed (rating based on seated user; do not stand on seat)
- b. lower leg sections are adjustable in $\frac{3}{4}$ " increments; 10" range of height adjustment; install the lower leg set that achieves the desired seat height
- c. adjust height to suit user before mounting to wall
- d. hinged seat swings past 90° to remain in folded, upright position; legs fold as seat swings
- e. fine height adjustment allows compensation for slope of floor (+/- $\frac{1}{2}$ " range of adjustability)
- f. seat must be mounted to substantial, well-secured blocking, usually of 2× solid wood (toenailing is not sufficient; use cleats or notch blocking into studs), though brick, concrete, or concrete block can also be suitable mounting materials
- g. #14 round head or hex head fasteners recommended (do not use flat head type fasteners); use stainless steel fasteners in wet area installations; each fastener must be capable of withstanding 77 lbs. of pull-out force; the length of fasteners will depend on the distance to drive them deeply into an appropriately reinforced material capable of supporting the load; drive a fastener into every mounting bracket pilot hole
- h. for interior installations only
- i. seat must be mounted so that it is level in all directions and remains in a 90° orientation to the legs
- j. the fine height adjustment hex nut must be checked regularly to ensure that it is tight; a loose nut on the fine height adjustment will allow the leg height to change, which will alter the orientation of the seat to the legs, potentially affecting the performance, integrity, and durability of the shower seat
- k. clean and disinfect regularly; use mild detergent; do not use abrasive pads, or strong acidic, alkaline or other harsh cleaning materials as this may cause discoloration; after cleaning, always flush with water
- l. rubberwood is an eco-friendly material. Rubberwood is a tree grown on plantations in Southeast Asia. The trees produce latex, which is used to make many rubber-based products. After a rubberwood tree ages more than 25 years or so its yield of latex diminishes to a point where it is no longer useful for that purpose. These trees are harvested and replaced with new rubberwood trees. Because it is a dense wood that is easy to kiln dry, shrinks very little, remains stable once dried, and offers great durability, rubberwood is used in a variety of kitchen, bathroom, and furniture goods. Since it serves these dual purposes—latex production followed by useful lumber—with little waste, rubberwood is considered an eco-friendly material.

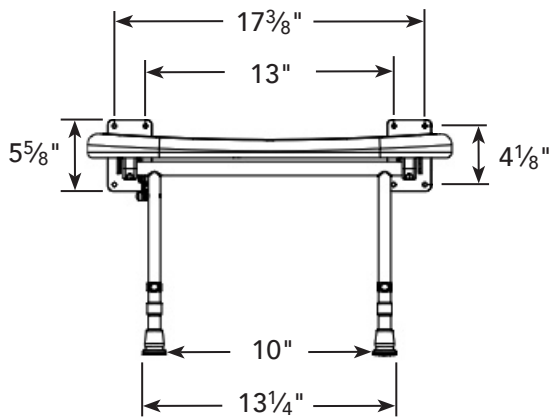
Other Information

- a. manufacturer's warranty: 10-year for residential installations, 5-year for commercial installations
- b. see AKW warranty for details

4000 Series Shower Seat



Seat width overall: 18 7/8"
Seat depth overall: 15 7/8"
Wall to front edge of seat: 18 3/4"



Fine height adjustment—
note hex nut tightened
to lock against
end of leg.